

CARGO CONTROL & RESTRAINT PRODUCTS

Interior Van Products

Logistic straps feature 2" wide webbing and are available in lengths of 12 Feet (Yellow), 16 Feet (Black) and 20 Feet (Blue). Both ratchet type and cam buckle type are available. Should you not see what you require please contact the Pomar sales department who will be glad to assist you.

Ratchet Straps

Product # H64235012SE Yellow 12 FT With Spring E-Fittings
455 kg / 1000 lb WLL

Product # H64235016SE Black 16 FT With Spring E-Fittings
455 kg / 1000 lb WLL

Product # H64235020SE Blue 20 FT With Spring E-Fittings
455 kg / 1000 lb WLL

Product # H64235012WH Yellow 12 FT With Wire Hook Fittings
228 kg / 500 lb WLL

Product # H64235016WH Black 16 FT With Wire Hook Fitting
228 kg / 500 lb WLL

Product # H64235020WH Blue 20 FT With Wire Hook Fittings
228 kg / 500 lb WLL



Cam Buckle Straps

Product # H64236012SE Yellow 12 FT With Spring E-Fittings
380 kg / 835 lb WLL

Product # H64236016SE Black 16 FT With Spring E-Fittings
380 kg / 835 lb WLL

Product # H64236020SE Blue 20 FT With Spring E-Fittings
380 kg / 835 lb WLL



Miscellaneous Straps & Fittings

Heavy Duty 1" Blue Polyester Webbing Ratchet Straps

Features 1" vinyl coated S hook end fittings and 735 lb (335 kg) WLL.

Product # H64105009VS 9 FT Length
Product # H64105012VS 12 FT Length
Product # H64105015VS 15 FT Length
Product # H64105020VS 20 FT Length



2777 Series E/A Spring Loaded Fitting With Integral 2" Circle Ring

Product # H642777 4100 lb Break Strength



EFTG-2 Series E/A Spring Loaded End Fitting Only

Product # H64EFTG2 4500 lb Break Strength



CARGO CONTROL & RESTRAINT PRODUCTS

E / A Series 2" Rope Tie Offs

Features spring loaded fitting and 6" length.

Product # H64230006SE 455 kg / 1000 lb WLL

Features 3-Piece fitting and 6" length.

Product # H642300063P 455 kg / 1000 lb WLL



Axle Straps - 2" Blue 1200 lb Webbing & Cordura Protective Wear Sleeve

21" overall length with delta ring ends.

Product # H64AS15077 1515 kg / 3335 lb WLL

33" overall length with delta ring ends.

Product # H64AS15079 1515 kg / 3335 lb WLL



6030 Series Wide Handle 1" Webbing Ratchet

3300 lb break strength.

Product # H646030



7030 Series Extra Long Wide Handle 2" Webbing Ratchet

11000 lb break strength.

Product # H647030



7031 Series Long Wide Handle 2" Webbing Ratchet

11000 lb break strength.

Product # H647031



1845 Series Decking Beam Socket For Series E/A Logistic Track

Designed for use with standard commercial grade 2" x 4" or 2" x 6" lumber or equivalent. Plated finish.

Product # H641845

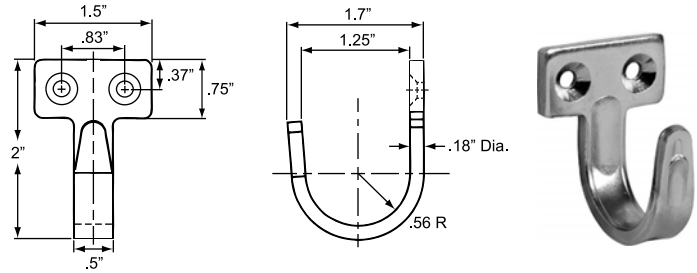


MISCELLANEOUS TIE-OFF PRODUCTS

362 Series Formed Steel J Hook

Zinc plated stamped steel hook with two countersunk mounting holes to accept # 10 fasteners.

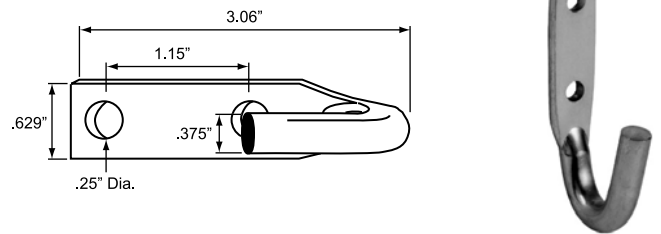
Product # H64362ZN



466-A Series Steel J Hook

Zinc plated steel hook with two .25\" diameter through mounting holes. Base material is .18\" thick which will allow welding if desired.

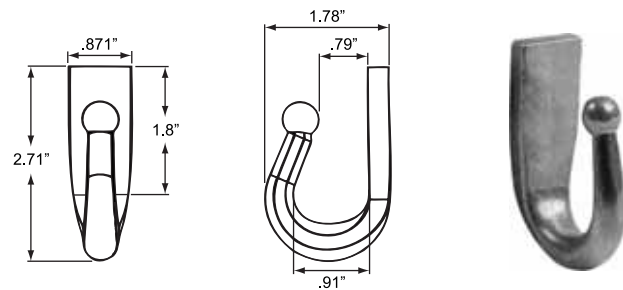
Product # H64466AZN



469-CAL Series Cast Aluminum Weld-On Hook

Made from cast aluminum, this sturdy J hook is designed to be used as a tarp tie down hook for aluminum body and trailer applications.

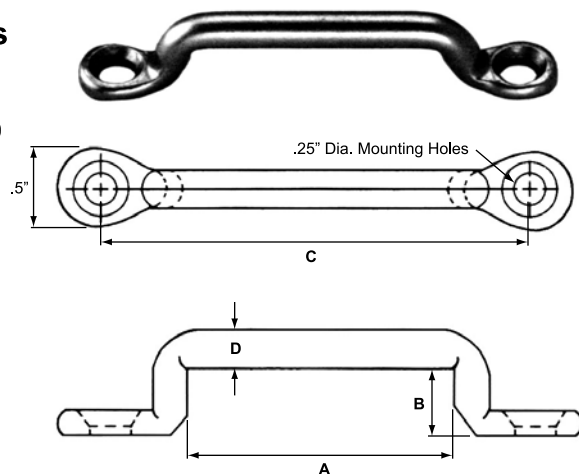
Product # H64469CAL



Steel Footman Loops Zinc Plated Steel & Stainless

Shallow loop design allows in use applications to secure webbing, strapping, or other flat material. Countersunk holes will accept # 10 fastener or equivalent.

Product #	"A"	"B"	"C"	"D"
H646411BZN	1.125"	.25"	2.125"	.25"
H646411DZN	1.375"	.25"	2.25"	.25"
H646411EZN	1.625"	.31"	2.625"	.25"
H646411GZN	2.125"	.31"	3.125"	.28"
H646411ZSS ** 304 Stainless Steel **	1.125"	.25"	2.625"	.25"

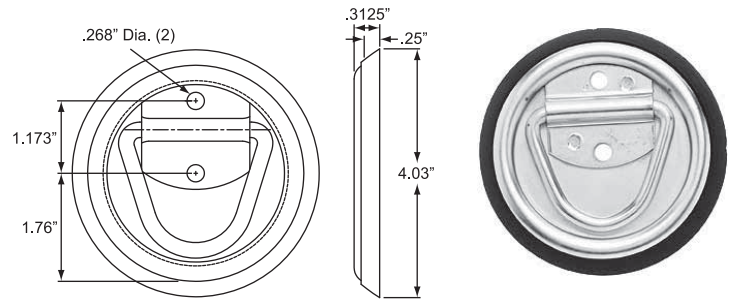


ROPE & TIE RINGS

39 Series Recessed Rope Rings

Rugged zinc plated 1/4" steel tie ring and recessed cup mounts flush into 1/4" thick material liners or utilize beveled plastic spacer ring for surface mounting if desired. Minimum break strength 1200 lbs, working load limit 400 lbs.

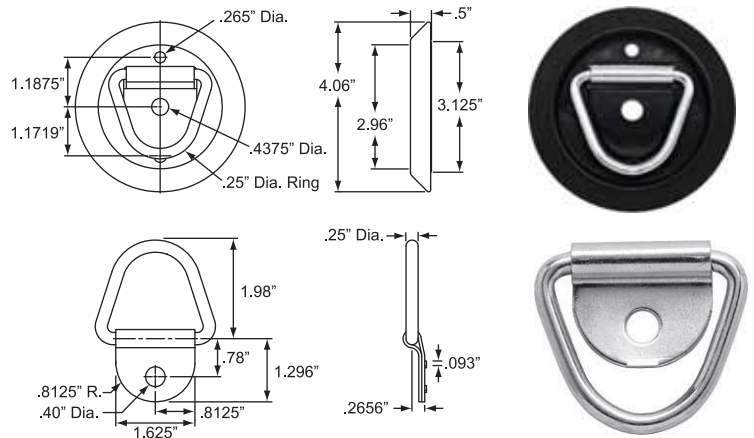
- Product # H6439KIT** Complete Steel Tie Ring
With Plastic Spacer
Product # H6439ZN Steel Tie Ring Only
Product # H6439FRP Plastic Spacer Ring Only



300 Series Surface Mount Rope Rings

High impact plastic mounting cup utilizes a 1/4" steel zinc plated ring with integral retainer clamp. Cup features anti-rattle bumper. Minimum break strength 1500 lbs, working load limit 500 lbs.

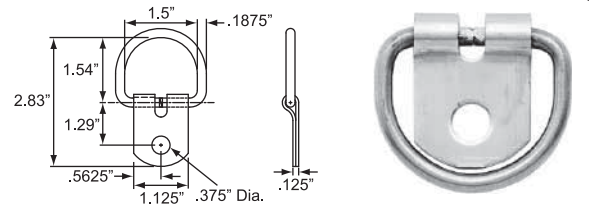
- Product # H64300FZN** Complete Steel Tie Ring
With Plastic Cup
Product # H64300CZN Steel Tie Ring and Clip Only
Product # H64300MCBK Plastic Mounting Cup Only



300-C-SS Series Stainless Steel Rope Ring

Butt welded natural stainless steel finish ring with integral mounting clip. Mounting hole diameter .38". Minimum break strength 1000 lbs, working load limit 300 lbs.

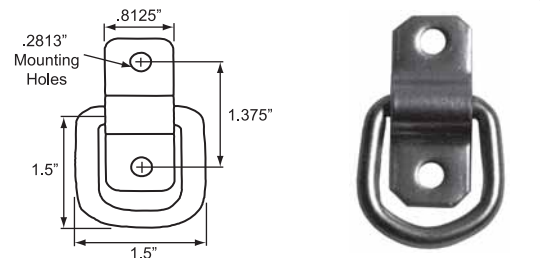
- Product # H64300CXSS**



700 Series Economy Rope Tie Off

Surface mount .225" diameter zinc plated ring with 10 gauge two hole mounting bracket.

- Product # H64700ZN**



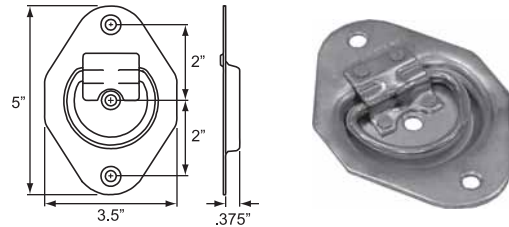
All ratings are based on a straight (static) tensile pull. Pull angles other than straight will result in a significant reduction in break strength capacity. Break strength capacity is the minimum load that the part will withstand before failure. Working load limit is the maximum load that the part may encounter during regular use, always in a straight pull situation. The normal usage of tie down and anchor point equipment subjects them to wear and deterioration which will reduce break strength capacity. It is recommended that all parts be regularly inspected and replaced immediately as required. Suitability for application is the sole responsibility of the buyer of these products. **** Do Not Modify Or Alter Any Products As Modification Or Alteration Of Any Component Or Assembly May Cause Serious Injury Or Death. Do Not Use For Lifting. ****

ROPE & TIE RINGS

601 Series Recessed Rope Ring

Recessed pan allows for flush applications with 3/8" minimum backspace. Three mounting holes countersunk for 1/4" diameter fasteners. Zinc plated or 304 stainless steel.

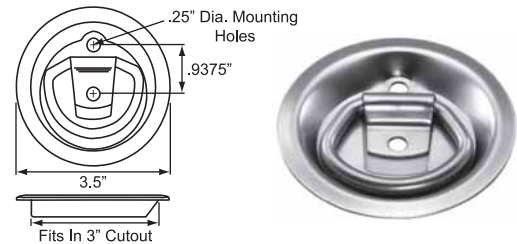
Product # H64601ZN Zinc Plated Steel
Product # H64601SS Stainless Steel



701 Series Recessed Rope Ring

One piece dish construction combines 1/4" diameter steel ring with 16 gauge pan mounts flush into 1/4" thick liner materials. Two 1/4" mounting holes. Zinc plated. May be surface mounted by using H6439FRP plastic spacer ring. Working load limit 400 lbs.

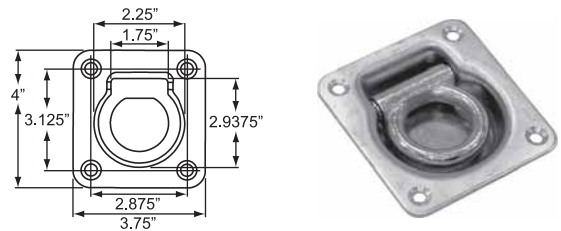
Product # H64701ZN



239 Series Floor Tie Ring

Rectangular stamped steel recessed pan with four countersunk mounting holes and cast tie ring. Zinc plated. Break strength 2000 lbs, working load limit 650 lbs.

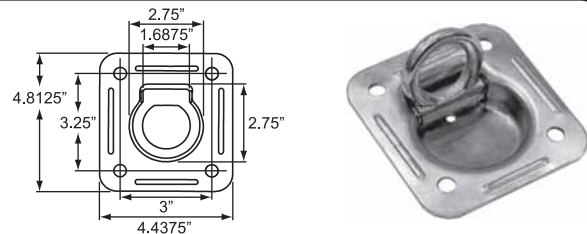
Product # H64239ZN



239-L Series Wide Flange Floor Tie Ring

Large 4-1/2" x 4-7/8" ribbed flanged recessed pan with four .4063" diameter mounting holes and cast tie ring. Zinc plated. Break strength 5000 lbs, working load limit 1600 lbs.

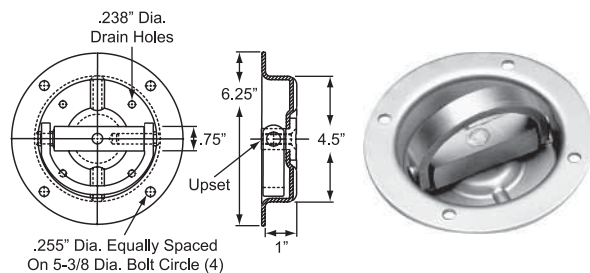
Product # H64239LZN



Heavy Duty Swivel Tie Down Ring

Recessed 360° swivel "D" ring features 6-1/4" overall diameter with four .34" diameter mounting holes. Zinc plated steel available with or without drain holes and stainless steel available with drain holes only. Break strength 6000 lbs, working load limit 2000 lbs.

Product # H641040ZN No Drain Holes In Pan, Zinc Plated
Product # H641041ZN 4 Drain Holes In Pan, Zinc Plated
Product # H641041SS 4 Drain Holes In Pan, Stainless Steel



All ratings are based on a straight (static) tensile pull. Pull angles other than straight will result in a significant reduction in break strength capacity. Break strength capacity is the minimum load that the part will withstand before failure. Working load limit is the maximum load that the part may encounter during regular use, always in a straight pull situation. The normal usage of tie down and anchor point equipment subjects them to wear and deterioration which will reduce break strength capacity. It is recommended that all parts be regularly inspected and replaced immediately as required. Suitability for application is the sole responsibility of the buyer of these products. **** Do Not Modify Or Alter Any Products As Modification Or Alteration Of Any Component Or Assembly May Cause Serious Injury Or Death. Do Not Use For Lifting. ****