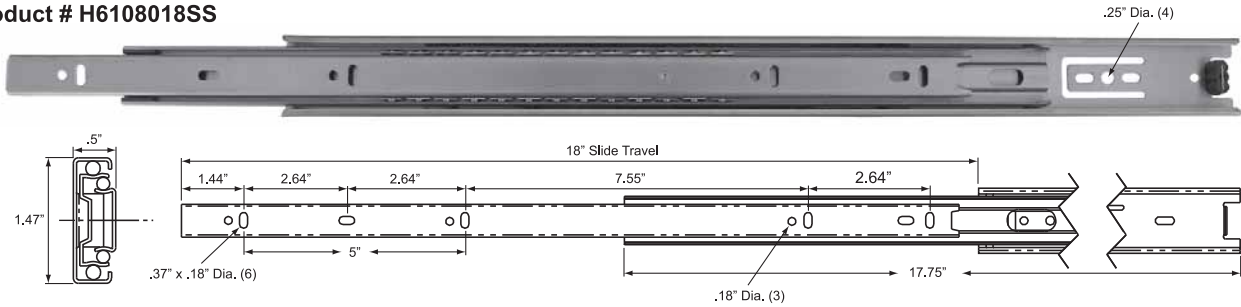


STANDARD DUTY DRAWER SLIDES

I-080 Series Stainless Steel Standard Duty Full Extension Ball Bearing Drawer Slide

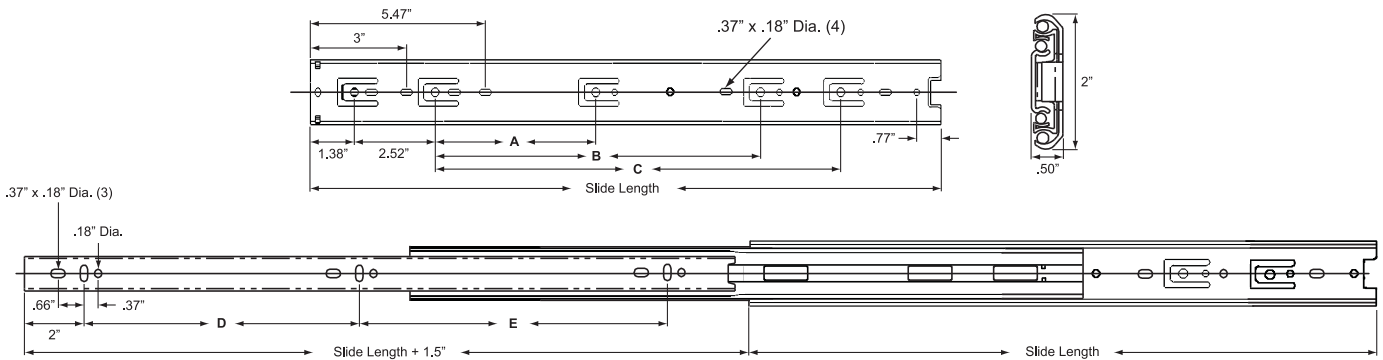
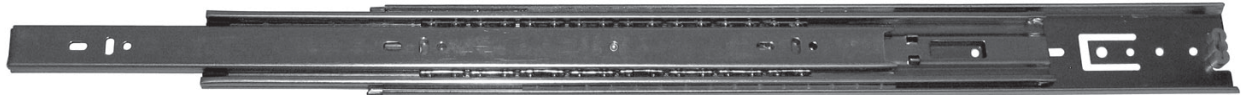
Features: lever disconnect and direct mounting hole access. Load rated to 80 lbs. Stainless finish. Stocked in 18" length only. Sold per pair.

Product # H6108018SS



I-0150 Series Standard Duty Full Extension Ball Bearing Drawer Slide

Features: low profile, disconnect feature and direct mounting hole access. Load rated up to 150 lbs. Clear zinc finish. Stocked in lengths from 10" to 28" in 2" increments. Sold per pair. **** Minimum Quantity Orders With Extended Lead Times May Apply On Certain Sizes ****

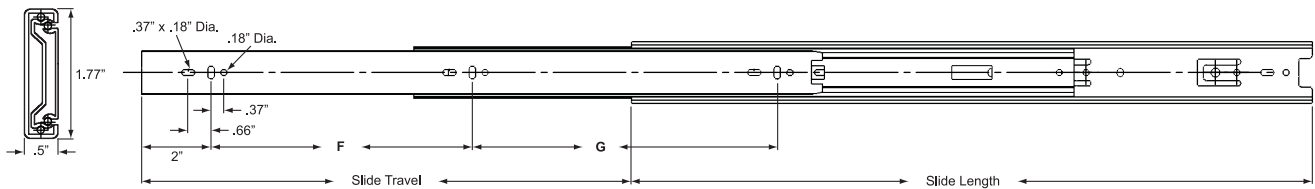
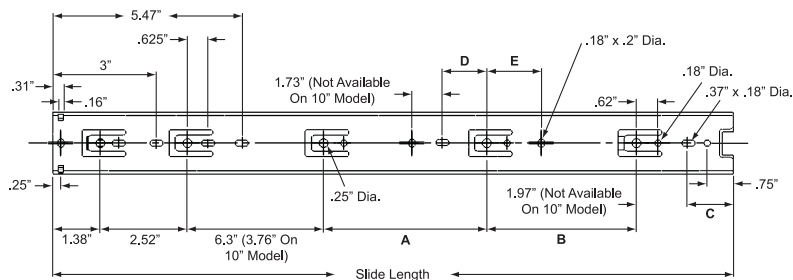


Product #	Slide Length	"A"	"B"	"C"	"D"	"E"
H61015010ZN	10"	3.78"	---	---	6.54"	---
H61015012ZN	12"	6.3"	---	---	3.78"	5.04"
H61015014ZN	14"	6.3"	---	---	5.04"	5.04"
H61015016ZN	16"	6.3"	8.82"	---	6.3"	6.3"
H61015018ZN	18"	6.3"	11.34"	---	6.3"	7.56"
H61015020ZN	20"	6.3"	11.34"	13.86"	7.56"	8.82"
H61015022ZN	22"	6.3"	11.34"	13.86"	8.82"	8.82"
H61015024ZN	24"	6.3"	11.34"	16.38"	10.08"	10.08"
H61015026ZN	26"	6.3"	11.34"	18.9"	11.34"	11.34"
H61015028ZN	28"	6.3"	11.34"	18.9"	11.34"	11.34"

STANDARD DUTY DRAWER SLIDES

I-5632 Series Standard Duty Full Extension Ball Bearing Drawer Slide

Features: low profile, disconnect feature and direct mounting hole access. Load rated up to 100 lbs. Clear zinc finish. Stocked in lengths from 10" to 28" in 2" increments. Sold per pair. ****Minimum Quantity Orders With Extended Lead Times May Apply On Certain Sizes****



Product #	Slide Length	Slide Travel	"A"	"B"	"C"	"D"	"E"	"F"	"G"
H61563210ZN	10"	10"	---	---	---	---	---	6.55"	---
H61563212ZN	12"	12"	---	---	---	---	---	3.78"	5.04"
H61563214ZN	14"	14"	---	---	1.86"	---	---	5.04"	5.04"
H61563216ZN	16"	16"	---	2.52"	1.52"	---	---	6.3"	6.3"
H61563218ZN	18"	18"	5.04"	---	---	1"	1.27"	6.3"	7.56"
H61563220ZN	20"	20"	5.04"	2.52"	---	1"	1.27"	7.56"	8.82"
H61563222ZN	22"	22"	5.04"	2.52"	2.28"	1"	1.27"	8.82"	10.08"
H61563224ZN	24"	24"	5.04"	5.04"	1.76"	1"	1.27"	10.08"	10.08"
H61563226ZN	26"	26"	5.04"	7.56"	1.24"	1"	1.27"	11.28"	11.41"
H61563228ZN	28"	28"	5.04"	7.56"	3.24"	1"	1.27"	11"	11.84"