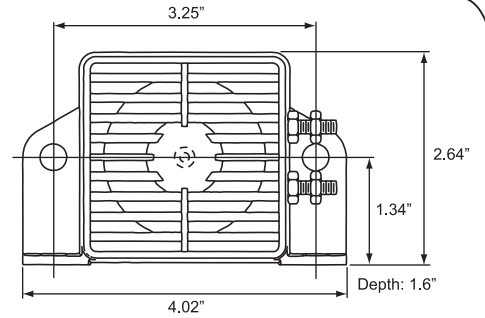


BACK-UP ALARMS

97 Decibel Back-Up Alarms

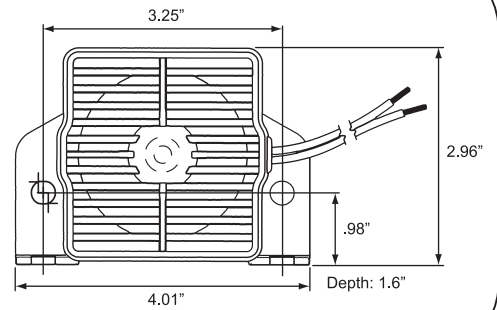
Features solid state electronics encapsulated in epoxy with weatherproof black nylon housing. Conforms to SAE J994 specification. Amperage draw of approximately 0.6 amps. 10 oz in weight.



Product #	Operating Voltage	SAE Type	Connection Type	Notes
E75230	12 Volts	C	2 x 8-32 UNC Studs	--
E75230GS	12 Volts	C	2 x 8-32 UNC Studs	Self Grounding

107 Decibel Back-Up Alarm

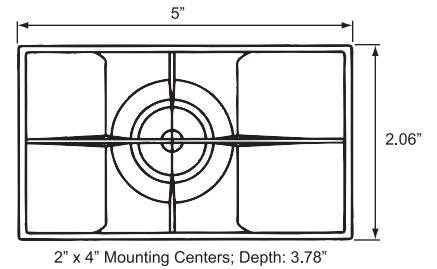
Features compact profile with high sound warning. Polarity protected, 12 - 24 volt systems, self-resonating circuitry automatically adjusts to environmental conditions to ensure a constant 107 db output. Current draw 0.5 amps. Conforms to SAE J994 Type B specification. 12 oz in weight. Wire lead connection.



Product # E75270

87-112 Decibel Self Adjusting Back-Up Alarm

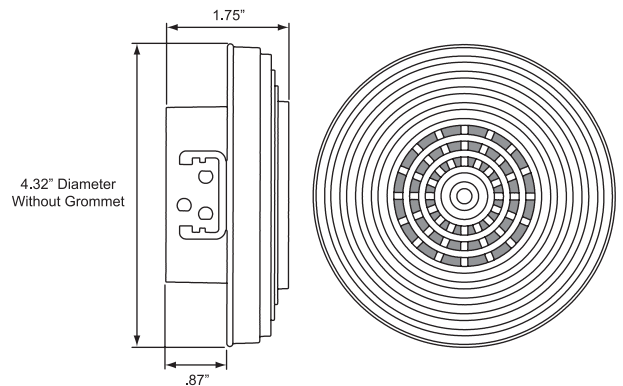
Automatically adjusts to 10 decibels above the surrounding noise to reduce noise pollution and irritation. Power connection to 8-32 UNC studs, 12 - 24 volt. Conforms to SAE Type A-D specification. Weight 1lb 8 oz.



Product # E751040

97 Decibel 4" Round Back-Up Alarm

Installs into standard tail lamp grommet mount and uses regular lamp pigtail. 12 volt operation and conforms to SAE J994 Type C specification. 12 oz in weight.



Product # E754030K