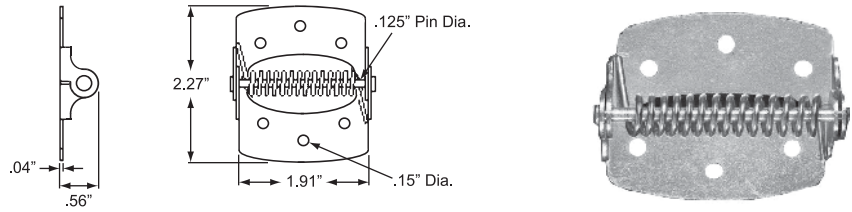


MISCELLANEOUS HINGES

2" Spring Hinge

Brass plated spring hinge returns panel to closed position.

Product # H50N240



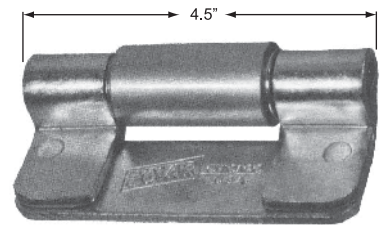
4-1/2" Pivot Bushing Assembly

Rollarized pivot bushing assembly features .5" diameter axle. Available with round or square mounting holes.

Product # H6025710RDZN 8 Gauge Material
Round Mounting Holes For 3/8" Bolt

Product # H6025710SQZN 8 Gauge Material
Square Mounting Holes For 3/8" Bolt

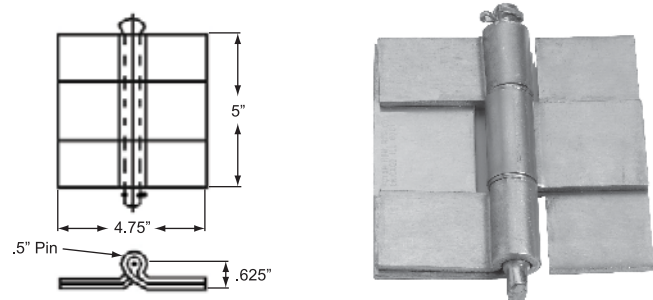
Product # H6025710RDSS 10 Gauge Material
Round Mounting Holes For 5/16" Dia. Carriage Bolt



5" x 5" Aluminum Butt Hinge

3/16" mill finish aluminum material with .5" diameter plated steel pin and thrust washers. No holes 5" H x 4.75" W.

Product # H501005AL



8" Weld-On Ramp Door Hinge

Plain 1/4" steel hinge for trailer ramps or access doors. Features 1/4" offset leaf and grease fitting.

Product # H511902-1/4PL

