

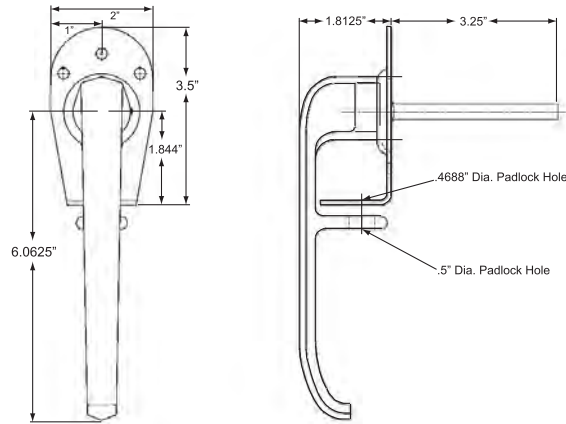
PADLOCKABLE HANDLES

70 Series Padlockable "L" Handle

Contoured cast handle features 5/16" x 3" square shank and .50" padlock eye on handle. Escutcheon contains 4" x .218" diameter mounting holes.

Product # H5370XXXZN Zinc Plated

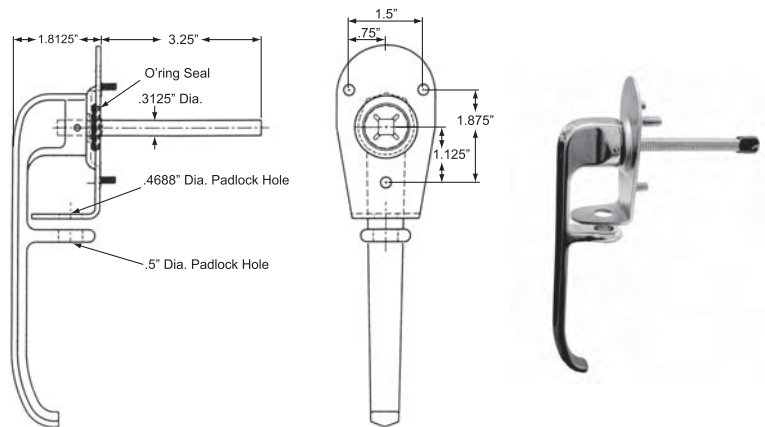
Product # H5370XXXSS Polished Stainless Steel



70-BL Series Padlocking "L" Handle

Vibropolished stainless steel handle features 5/16" x 3.25" square shank threaded 3/8-16" and three 1/4-20" x .50" studs for blind mounting. Escutcheon also contains O'ring seal for resistance to moisture.

Product # H5370BLTSS

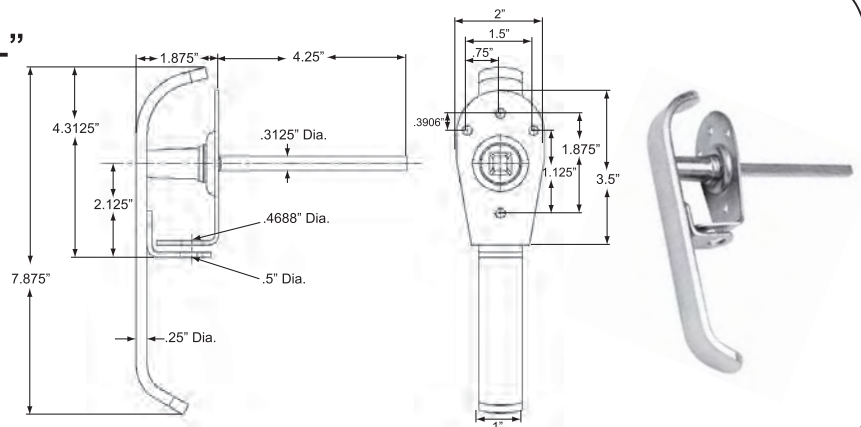


73 Series Stamped Padlockable "L" Handle

Flat style contoured handle is pleasing to the eye. Features 5/16" x 4" square shank and .187" thick handle grab with .50" diameter padlock eye.

Product # H5373NSXZN Zinc Plated

Product # H5373NSXSS Stainless Steel with .25" Thick Handle Grab



**** Mounting Gasket for 70 and 73 Series Handles is Available - Product # R21HG70XBK ****