

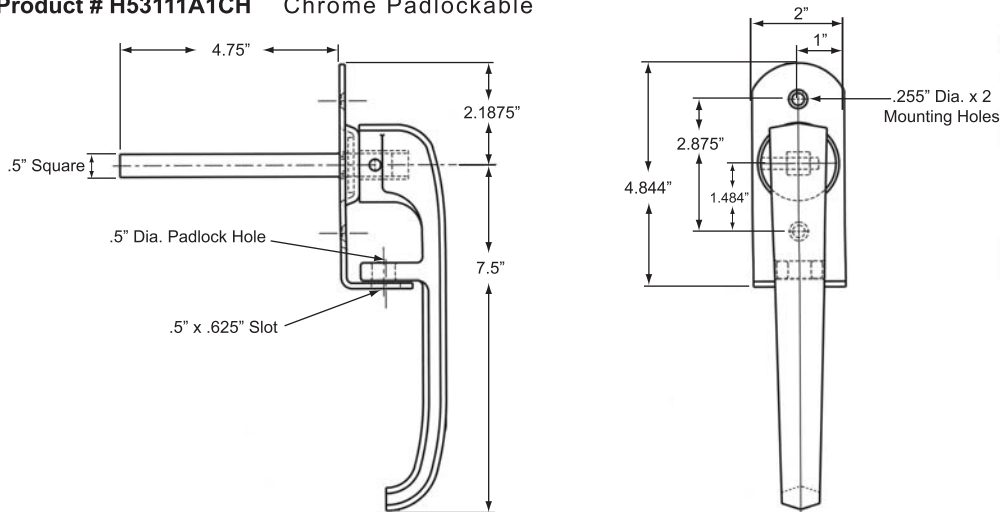
HEAVY DUTY "L" HANDLES KEYED AND PADLOCKABLE

111 Series Heavy Duty Cast Padlockable "L" Handles

Malleable iron handles are furnished with 1/2" x 4" square shanks specific for our 311 series heavy duty dead bolt safety lock. Available in zinc plated or chrome.

Product # H53111A1ZN Zinc Plated Padlockable

Product # H53111A1CH Chrome Padlockable

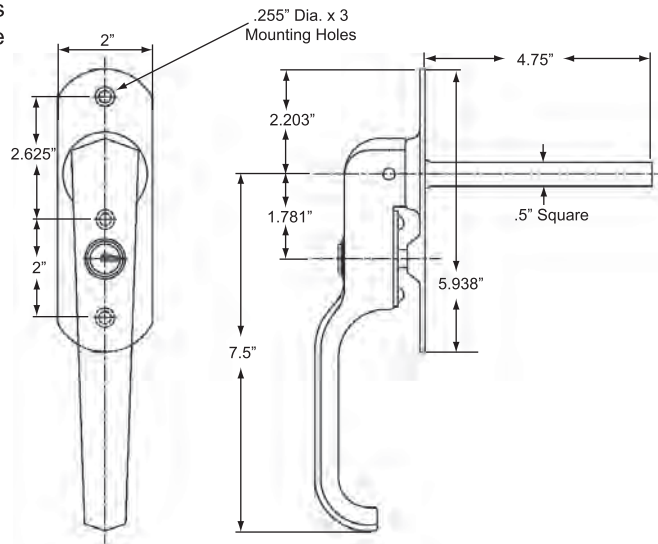


111 Series Heavy Duty Cast Push Key Locking "L" Handles

Malleable iron handles are furnished with 1/2" x 4" square shanks for our 311 series heavy duty dead bolt safety lock. Available in zinc plated or chrome.

Product # H53111C1ZN Zinc Plated

Product # H53111C1CH Chrome

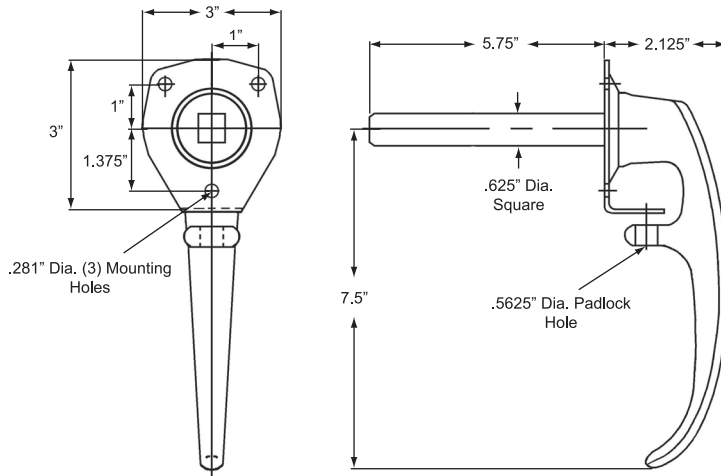


HEAVY DUTY "L" HANDLES KEYED & PADLOCKABLE

7011 Series Heavy Duty Cast Padlockable "L" Handle

Malleable iron handles are furnished with 5/8" x 5.75" square shanks specific to our 7011 series heavy duty dead bolt locks. Stocked in silver powdercoat finish but may be ordered in stainless steel - special order.

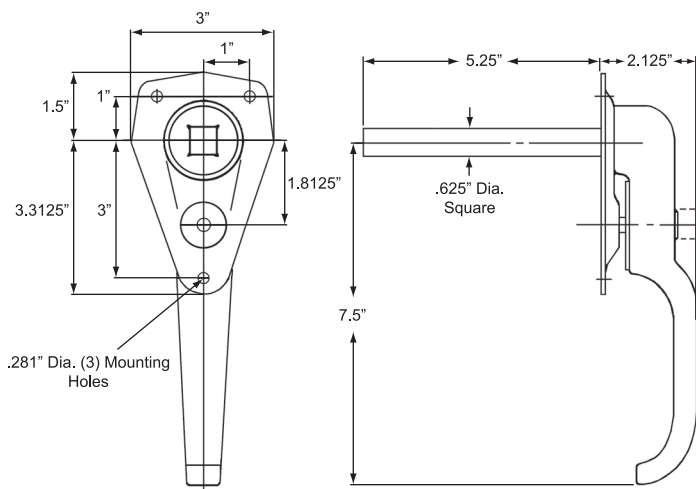
Product # H537011BCA Silver Powdercoat Padlockable



7011 Series Heavy Duty Cast Push Key Locking "L" Handle

Malleable iron handles are furnished with 5/8" x 5.25" square shanks specific to our 7011 series heavy duty dead bolt locks. Stocked in silver powdercoat finish but may be ordered in stainless steel.

Product # H537011LCA Silver Powdercoat Push Key Locking Cylinder

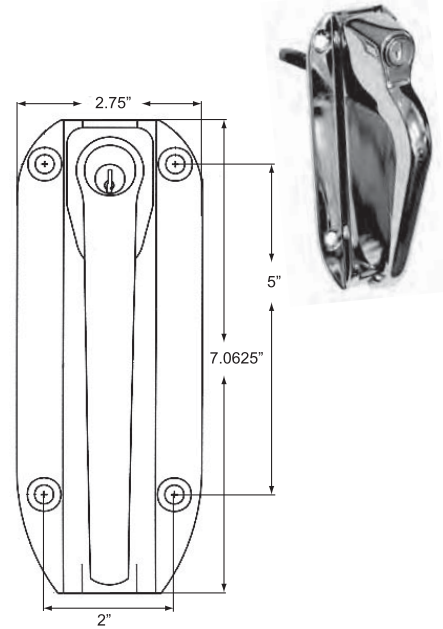


HEAVY DUTY DIE CAST HANDLES

4001 Series Key Locking Handles

Large mounting plate chrome finish type P push button and type S stationary cylinders. Push button style locks allow locking without a key by depressing cylinder button. Stationary locks require insertion and turning of key action. Multiple key numbers are available and key cylinders are replaceable. Order Product # H60CK50__.

Product #	Shank Size	Type
H5340015PCH	5/16" SQ x 3.75"	P
H5340015SCH	5/16" SQ x 3.75"	S
H5340013PCH	3/8" SQ x 3.75"	P
H5340013SCH	3/8" SQ x 3.75"	S



G4001 Series Key Locking Handles

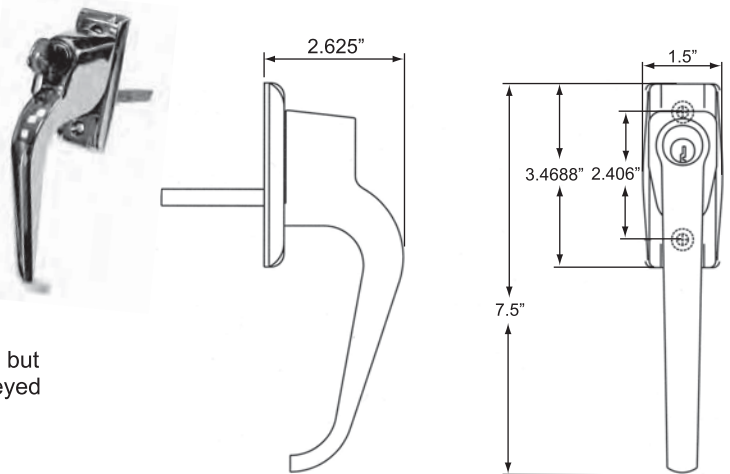
Same dimensions as 4001 series above but import item. Features non replaceable push button key cylinder. Various key numbers are available. Offers excellent quality at an economy price.

Product # H53G40015PCH 5/16" x 3.75" Square Shank
Product # H53G40013PCH 3/8" x 3.75" Square Shank

4168P Series

Key locking small two hole mounting escutcheon chrome finish push button cylinder. Replacement cylinder stock as Product # H60CK50. Can be keyed to compliment 4001 series handles.

Product # H534168PCH 5/16" x 3.75" Square Shank



G4168P Series

Key locking handle. Same dimensions as 4168P series above but import item. Non replaceable push button cylinder. Can be keyed to compliment 4001 series handles.

Product # H53G4168PCH 5/16" x 3.75" Square Shank

4169 Series

Non locking small two hole mounting escutcheon chrome finish. Matches 4168P handle except non key locking.

Product # H544169XCH

** Minimum Order Quantities May Apply **

