

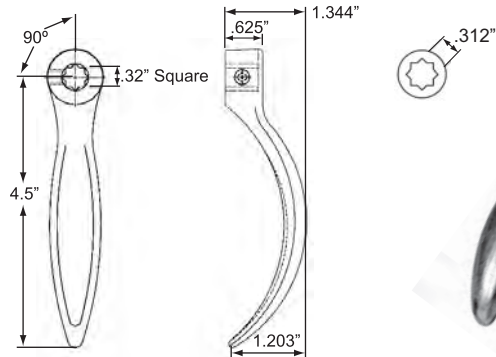
INSIDE HANDLES

Curved Die Cast Handle

For use with 5/16" square shanks. Grip design allows for sufficient hand access in tight mounting conditions. Secured with concealed set screw. Clockable shank mounting.

Product # H5474XXXZN Natural Zinc Die Cast Finish

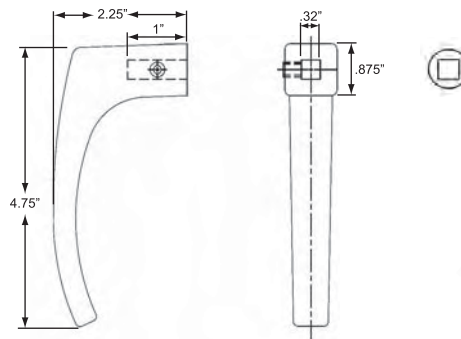
Product # H5474XXXCH Bright Chrome



Heavy Duty Die Cast Handle

Features large 4.3125" grip area and style matches our "500" series locking "L" handle. For use with 5/16" square shanks secured with concealed set screw.

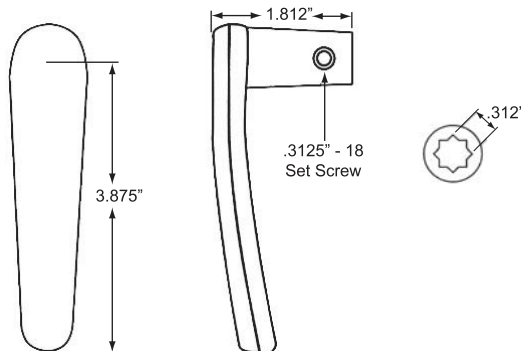
Product # H54500XXCH Chrome



Contoured Grip Die Cast Handle

For use with 5/16" square shanks. Features clockable shank mounting secured with set screw and bright chrome finish.

Product # H54I8002CH Bright Chrome



Flat Grip Low Profile Die Cast Handle

Use with any 5/16" square shank handle. Secures with set screw.

Product # H54I7003CH Chrome

