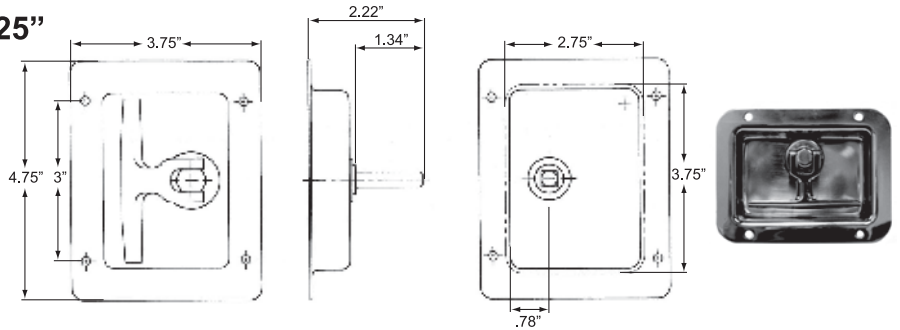


RECESSED FOLDING "T" HANDLES

Non Key Locking With 5/16" x 1.25" Square Shank

Off center shank allows mounting close to door edge. Can be used with any latch mechanism accommodating a 5/16" square shank. Polished stainless pan with polished chrome "T". 4 x .20" diameter mounting holes.

Product # H54479SXSS

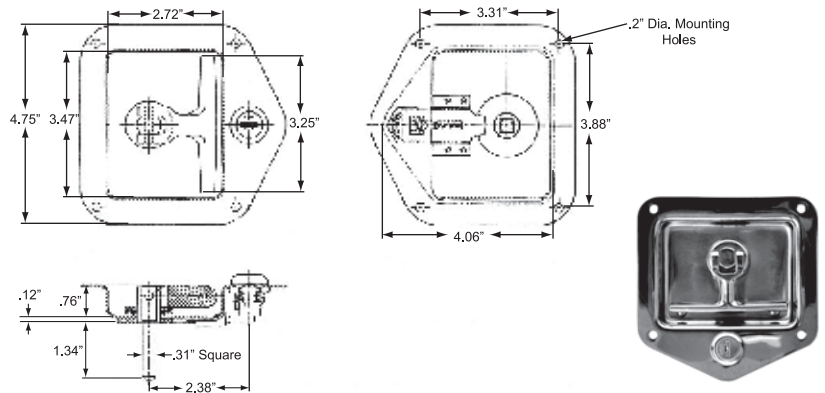


Key Locking With 5/16" x 1.25" Square Shank

Off center shank allows mounting close to door edge. Can be used with any latch mechanism accommodating a 5/16" square shank. 4 x .20" diameter mounting holes.

Product # H532474SSS Polished Stainless Pan with Polished Chrome "T"

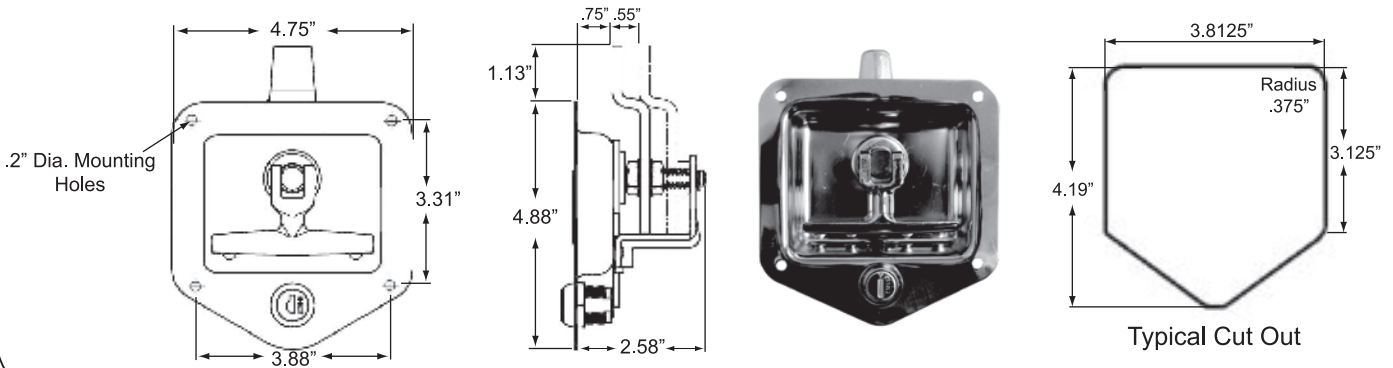
Product # H532479SZN Zinc Plated



Single Point Key Locking Adjustable Cam

Adjustable beveled cam feature accommodates varying door thickness. Stocked in RH configuration (cam rotates clockwise). Stainless models feature polished chrome die cast "T" handles and zinc plated back mechanism.

Product #	Key Code	Finish	Mounting Holes	Replacement Key Cylinder
H598004ZN501	CH/EM 501	Zinc Plated	No	H60243501NF
H598004ZN506	CH/EM 506	Zinc Plated	No	H60243506NF
H598004ZN545	CH/EM 545	Zinc Plated	No	H60243545NF
H598004SS501	CH/EM 501	Polished SS Pan	Yes, 4 x .20"	H60243501NF
H598004SS506	CH/EM 506	Polished SS Pan	Yes, 4 x .20"	H60243506NF
H598004SS545	CH/EM 545	Polished SS Pan	Yes, 4 x .20"	H60243545NF

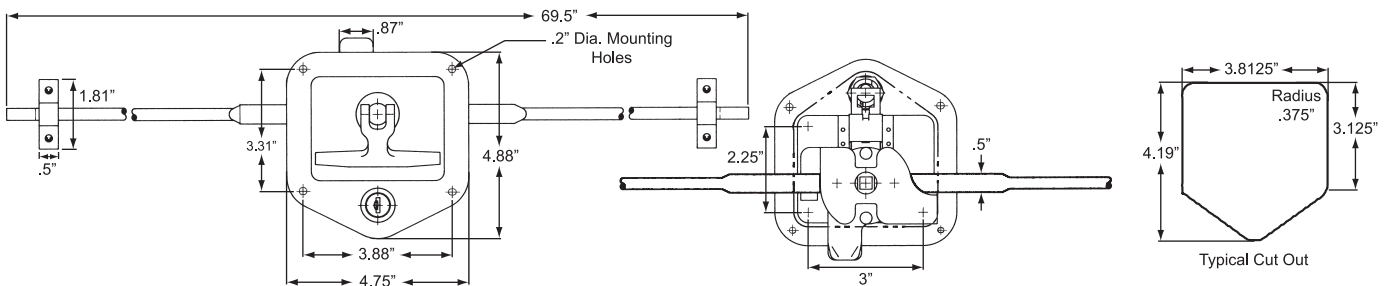


RECESSED FOLDING "T" HANDLES

Three Point Key Locking Center Control Only

Dead bolt style mechanism allows for three latch points on doors. Recommended for use on doors up to .75" thick. Handle rotates clockwise to unlatch. Stainless models feature polished chrome die cast "T" handles and zinc plated back mechanism.

Product #	Description	Key Code	Finish	Mounting Holes	Replacement Key Cylinder
H60C4875ZN	Center Control Only	Random	Zinc Plated	No	H60243__NF
H60C4875ZNMH501	Center Control Only	EM 501	Zinc Plated	Yes, 4 x .2"	H60243501NF
H60C4875ZNNH503	Center Control Only	EM 503	Zinc Plated	Yes, 4 x .2"	H60243503NF
H60C4875SS	Center Control Only	Random	Polished SS Pan	Yes, 4 x .2"	H60243__NF
H60C4875SS501	Center Control Only	EM 501	Polished SS Pan	Yes, 4 x .2"	H60243501NF
H60C4875SS503	Center Control Only	EM 503	Polished SS Pan	Yes, 4 x .2"	H60243503NF



Three Point Key Locking Latch Assembly Kit

Latch assembly incorporates above center control options with 5/16" diameter round rods in either 36" or 48" lengths with zinc plated formed steel rod guides.

Product #	Key Code	Finish	Mounting Holes	Rod Length
H594875XZN36	Random	Zinc Plated	No	36"
H594875ZNMH501	EM 501	Zinc Plated	Yes, 4 x .2"	36"
H594875ZNMH503	EM 503	Zinc Plated	Yes, 4 x .2"	36"
H594875XZN48	Random	Zinc Plated	No	48"
H594875XSS36	Random	Polished SS Pan	Yes, 4 x .2"	36"
H594875XSS48	Random	Polished SS Pan	Yes, 4 x .2"	48"



Folding "T" Handle Accessories And Parts

- Product # R21HG800BK** Neoprene Mounting Gasket
- Product # H60245000** Hinged Cylinder Dust Cover With Seal, Bright Finish
- Product # H60R5616ZN** 5/16" Dia. x 36" Round Rod With .25" Hole One End Zinc Plated
- Product # H60R5618ZN** 5/16" Dia. x 48" Round Rod With .25" Hole One End Zinc Plated
- Product # H60RG561ZN** Stamped One Piece Rod Guide With 2 x .2" Mounting Holes Zinc Plated



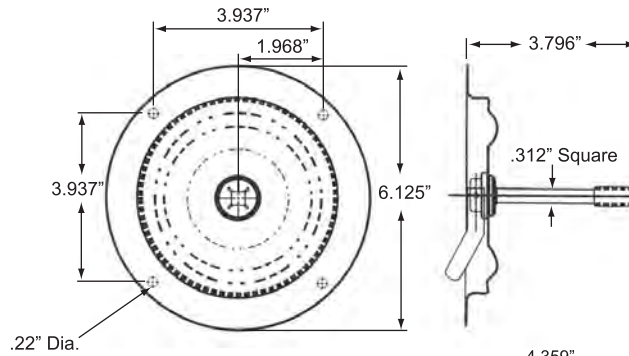
RECESSED FOLDING "D" RING HANDLES

Round Style Folding "D" Ring Handles

Polished stainless round style folding "D" ring handles with 5/16" x 3" square shank.

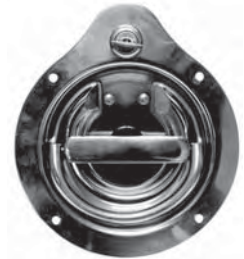
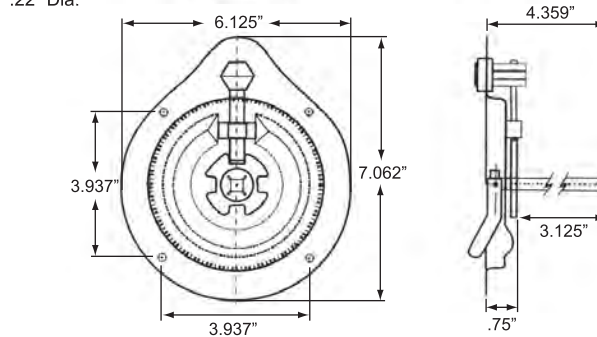
Product # 79LXXSS

Round Style, Non Key Locking



Product # 279LXSS

Round Style, Key Locking
Random Keying

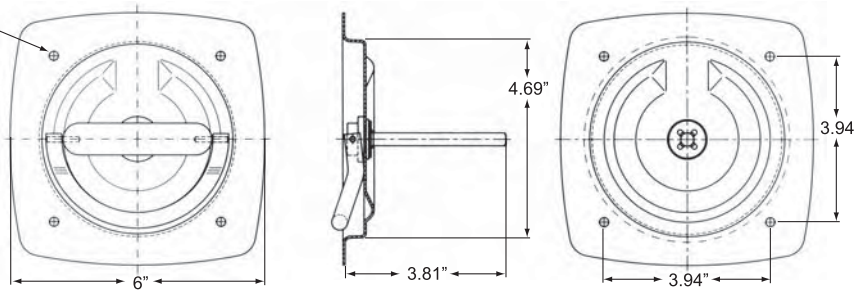


Square Style Folding "D" Ring Handles

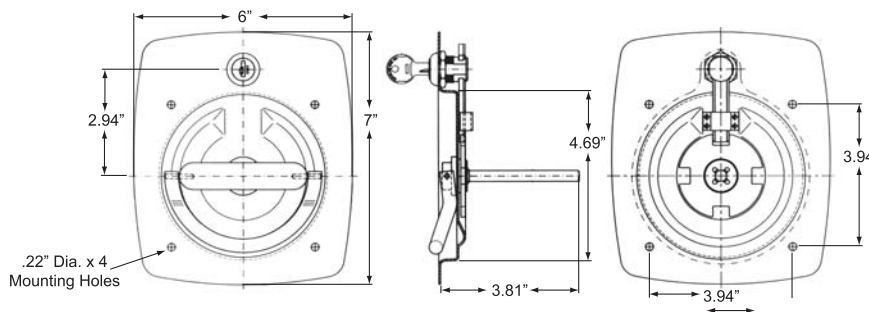
Polished stainless squared style folding "D" ring handles with 5/16" x 3" square shank.

Product # H5479LSQSS Squared Pan Style, Non Key Locking

.22" Dia. x 4
Mounting Holes



Product # H54279LSQSS Squared Pan Style, Key Locking, Random Keying



RECESSED FOLDING "D" RING HANDLES

Square Locking Folding "D" Ring Handles - Single Point

Polished stainless squared style key locking folding "D" ring handle. Single point latching. Zinc plated mechanism.

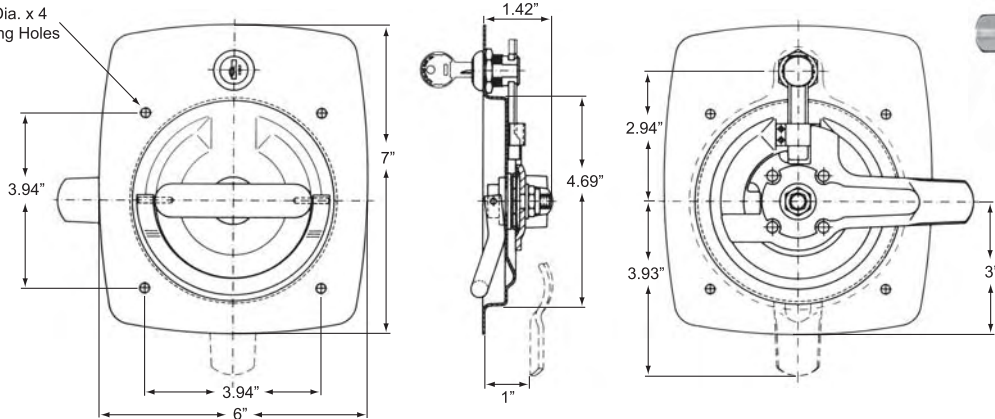
Product # H532101RSSSQ

Configured RH Operation
Handle Rotates Counterclockwise to Unlatch

Product # H532101LSSSQ

Configured LH Operation
Handle Rotates Clockwise to Unlatch

.22" Dia. x 4
Mounting Holes



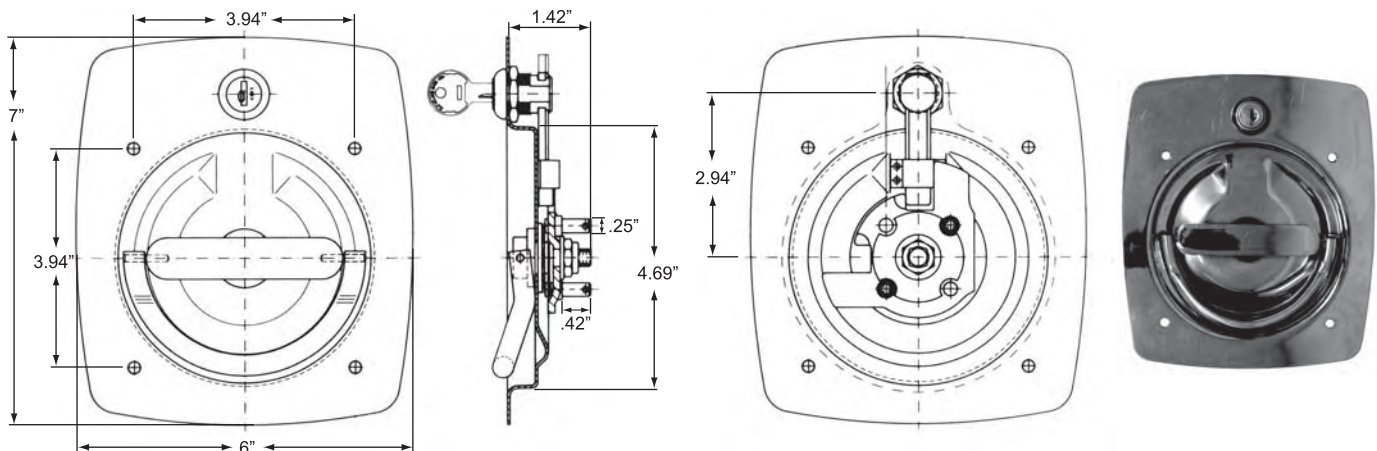
Square Locking Folding "D" Ring Handles - Two Point

Polished stainless squared style key locking folding "D" ring handle. Two point dead bolt latching center control with 1/4" studs to retain rods. Zinc plated mechanism.

Product # H60C2102LSQSS

Configured LH Operation. Handle Rotates Clockwise to Unlatch

We Recommend Using 3/8" Diameter Round Rods and Round Guides



Accessory Parts:

Rods: **Product # H60R1056ZN** Zinc Plated, 36" Long x 3/8" Dia.
Product # H60R1058ZN Zinc Plated, 48" Long x 3/8" Dia.

Rod Guide: **Product # H60RG105ZN** Zinc Plated
** Secure Rods to Studs with 3/32" Cotter Pin Available Separately **