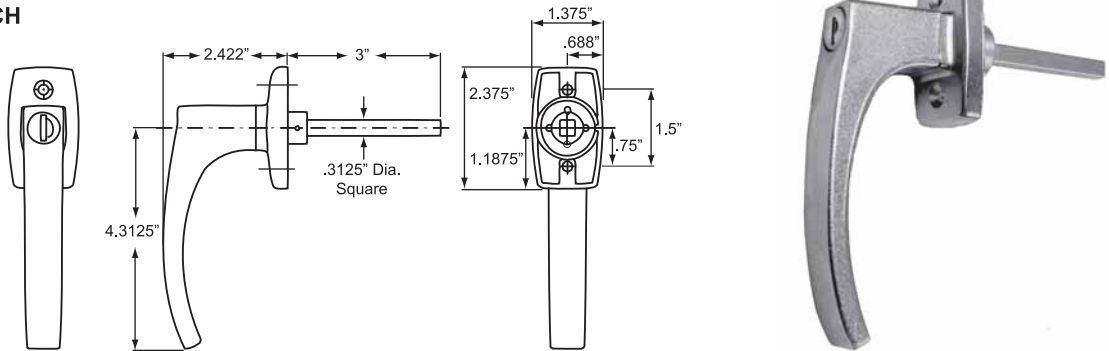


"L" & "T" HANDLES

500 Series Key Locking "L" Handle

Large profile heavy duty die cast handle chrome and satin finish features 5/16" square 2" long shank and neoprene mounting gasket. Escutcheon features .203" mounting holes on 1.5" centers and is designed for #10 oval or flat head fasteners. Full 360° rotation.

Product # H5350725CH



300 Series Key Locking and Non Keyed "T" Handles

Sturdy die cast "T" grip handles feature 5/16" square 4" long shanks, 360° clockwise rotation and through holes escutcheon with .203" diameter mounting holes on 1.5" centers to accommodate #10 oval or flat head fasteners.

**** NOTE: Gasket # R21HGST4BK Will Not Fit This Escutcheon Profile ****

Product # H5430385CH Chrome Non Keyed

Product # H5330388CH Chrome Key Locking

Product # H5330388BK Black Satin Finish Key Locking

