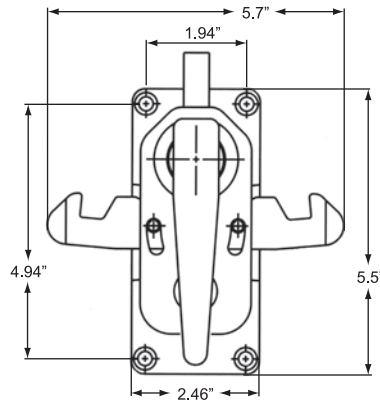


SLAM ACTION SLIDING DOOR LOCKS

2818 Sliding Door Lock With Webbed Handle

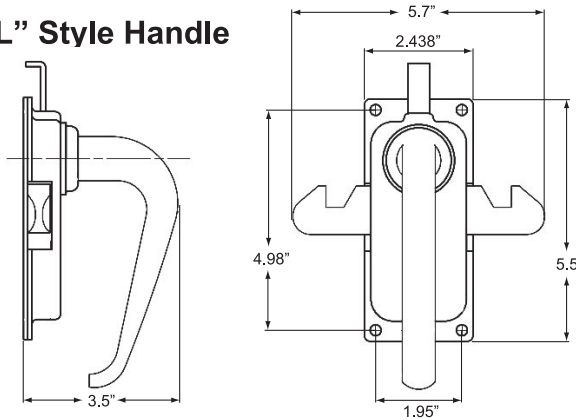
Heavy duty latch assembly fits either LH or RH applications. Holds doors in either open or closed position. Features locking thumb catch lever which automatically unlocks when inside handle is activated, and tapered arm bolt to engage strikers with minimal resistance. Accepts 3/8" square shank exterior handle. Zinc plated finish.



Product # H562818XZN

4000 Sliding Door Lock With "L" Style Handle

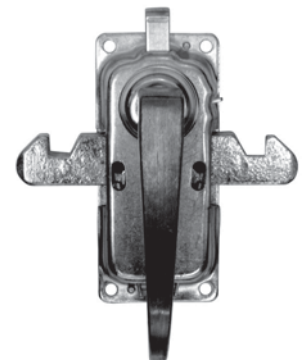
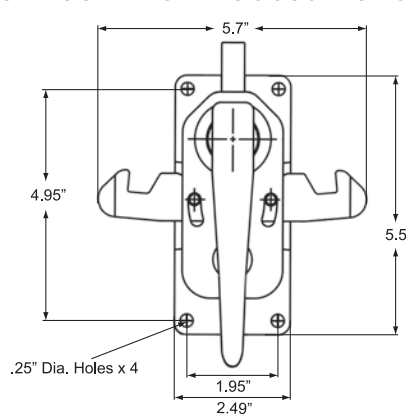
Kason HD latch assembly fits either LH or RH applications. Double tongue actuator holds doors open or closed. "L" style inside handle allows for positive grip even with gloved hand. Accepts 3/8" square shank. Zinc plated finish.



Product # H564000XZN

4002 Economy Sliding Door Lock With Webbed Handle

Sturdy latch assembly fits either LH or RH applications. Holds doors in either open or closed position. Features inside locking catch. Accepts 3/8" square shanks. Zinc plated finish.



Product # H56G4002XZN