

# DEADBOLT ROD LATCHES

## 105 Series Two Point Deadbolt Latch

All steel medium duty lock kit features two point center control, 3/8" diameter round rods and anti-rattle rod guides. Available with 36" or 48" rod lengths. Accepts a 5/16" square shank handle. Zinc plated finish.

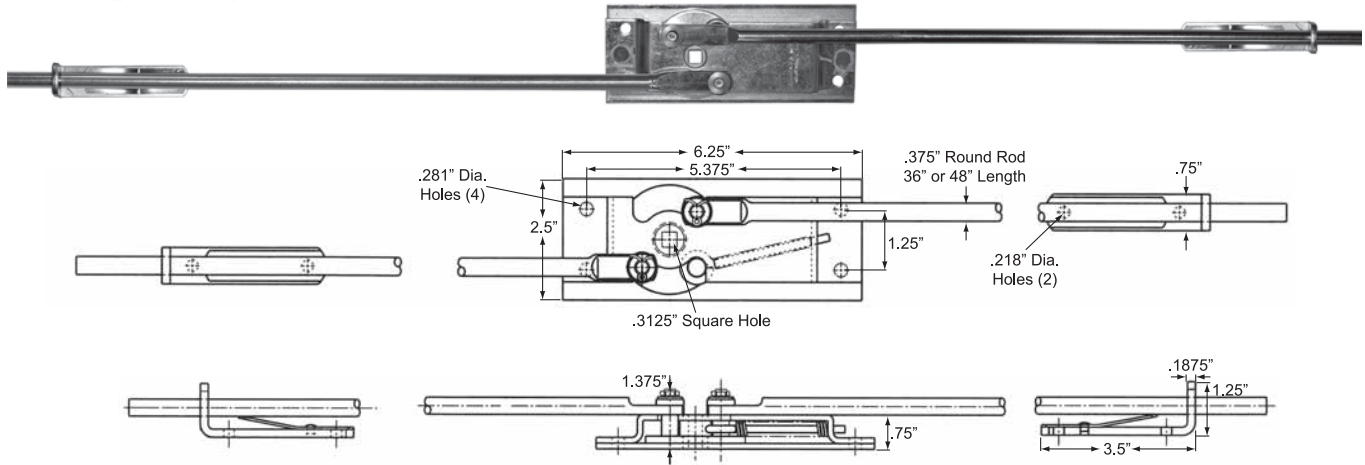
**Product # H5910536ZN** Zinc Plated With 36" Rods

**Product # H5910548ZN** Zinc Plated With 48" Rods

### Component Parts:

**Product # H60C105XZN** Center Control  
**Product # H60RG105ZN** Rod Guide  
**Product # H60R1056ZN** 36" x 3/8" Round Lock Rod  
**Product # H60R1058ZN** 48" x 3/8" Round Lock Rod

*\*\* Also Available in Stainless Steel -  
 Minimum Order Quantities Applicable \*\**



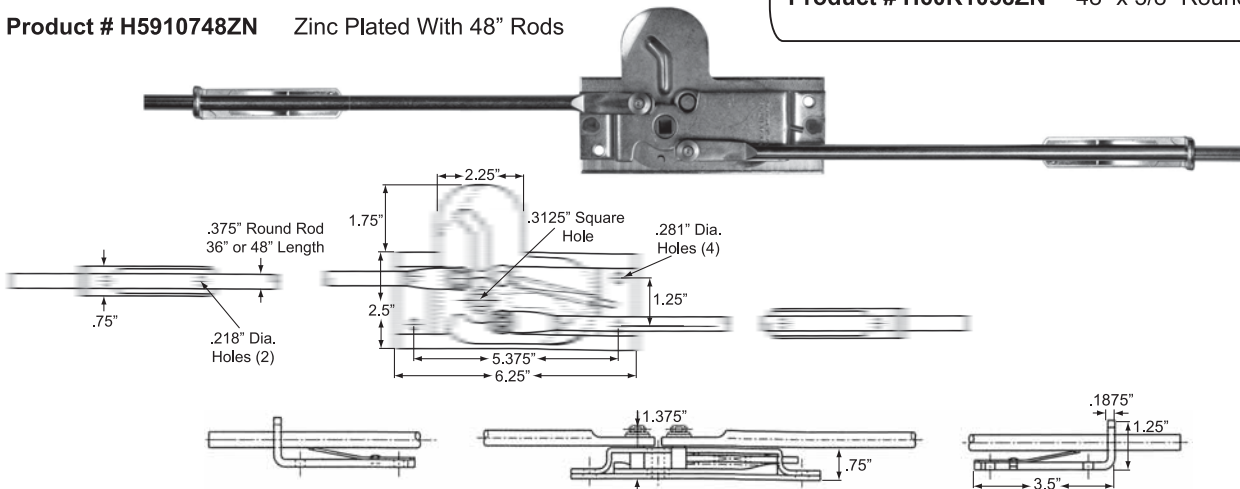
## 107 Series Three Point Lock

All steel medium duty lock kit features three point center control, 3/8" diameter round rods and anti-rattle rod guides. Available with 36" or 48" rod lengths. Accepts a 5/16" square shank handle. Zinc plated finish.

**Product # H5910748ZN** Zinc Plated With 48" Rods

### Component Parts:

**Product # H60C107XZN** Center Control  
**Product # H60RG105ZN** Rod Guide  
**Product # H60R1056ZN** 36" x 3/8" Round Lock Rod  
**Product # H60R1058ZN** 48" x 3/8" Round Lock Rod



# DEADBOLT ROD LATCHES

## 5611 Series Light Duty Three Point Deadbolt Latch

Designed for sheet metal type door applications, utilizes any 5/16" square shank handle design. Rods are attached or removed without tools. Supplied either LH or RH configured, available with either 36" or 48" rods. All components are zinc plated steel.

**Product # H5956116RZN** Zinc Plated RH With 36" Rods

**Product # H5956116LZN** Zinc Plated LH With 36" Rods

**Product # H5956118RZN** Zinc Plated RH With 48" Rods

**Product # H5956118LZN** Zinc Plated LH With 48" Rods

### Component Parts:

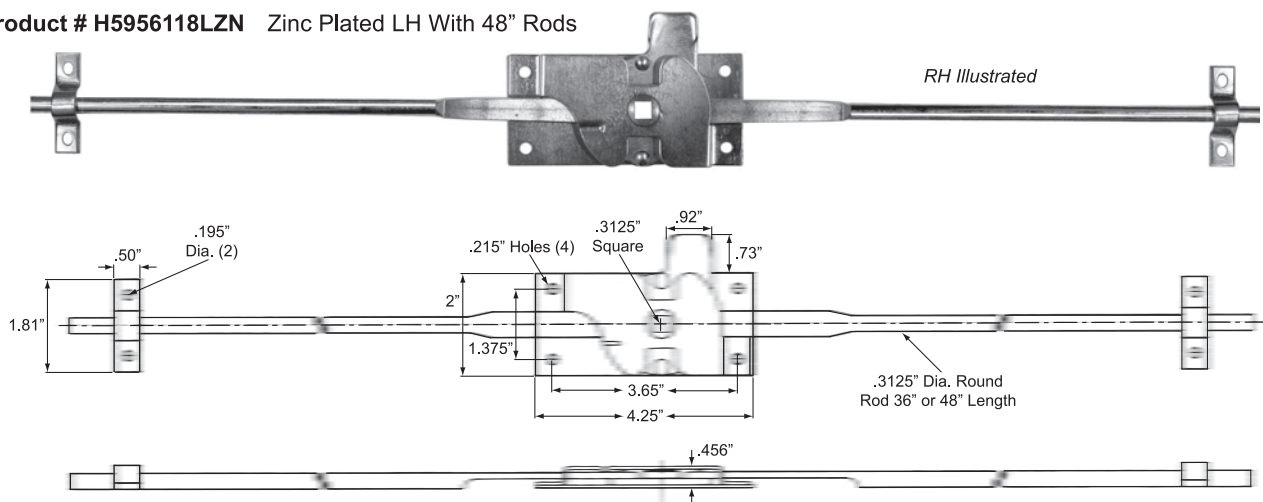
**Product # H60C5611LZN** LH Center Control

**Product # H60C5611RZN** RH Center Control

**Product # H60R5616ZN** 36" x 5/16" Round Lock Rod

**Product # H60R5618ZN** 48" x 5/16" Round Lock Rod

**Product # H60RG561ZN** Steel Rod Guide



## 5612 Light Duty Two Point Swivel Latch Kit

Economical swivel deadbolt lock features 48" round 5/16" diameter rods riveted to a center swivel which accommodates any 5/16" square shanked handle. Kit includes swivel assembly and 2 steel rod guides. All components are zinc plated.

**Product # H595612XZN** Zinc Plated

