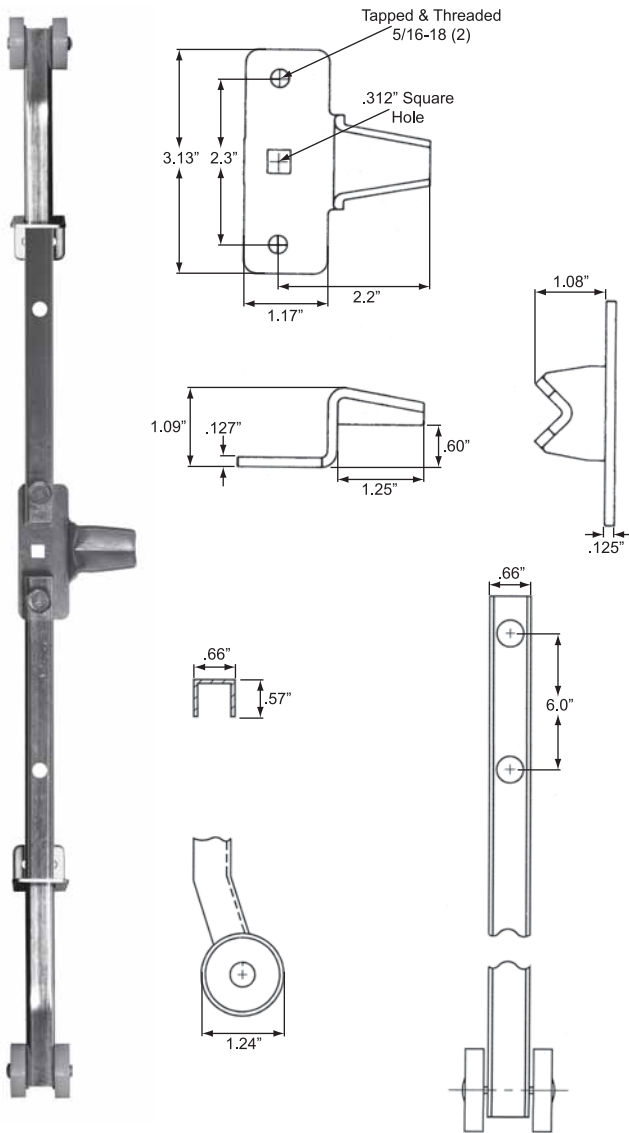


# THREE POINT ROLLER COMPRESSION LATCHES

## 3700 Series Roller Latch Kit

Features lightweight 16 gauge steel channel roller rods with riveted nylon roller wheels. Fixed style center cam will accept any 5/16" square shank handle. Kit includes (1) center cam, (2) rod guides, (2) roller rods and (2) shoulder bolts to secure rods. All components are yellow zinc finish.

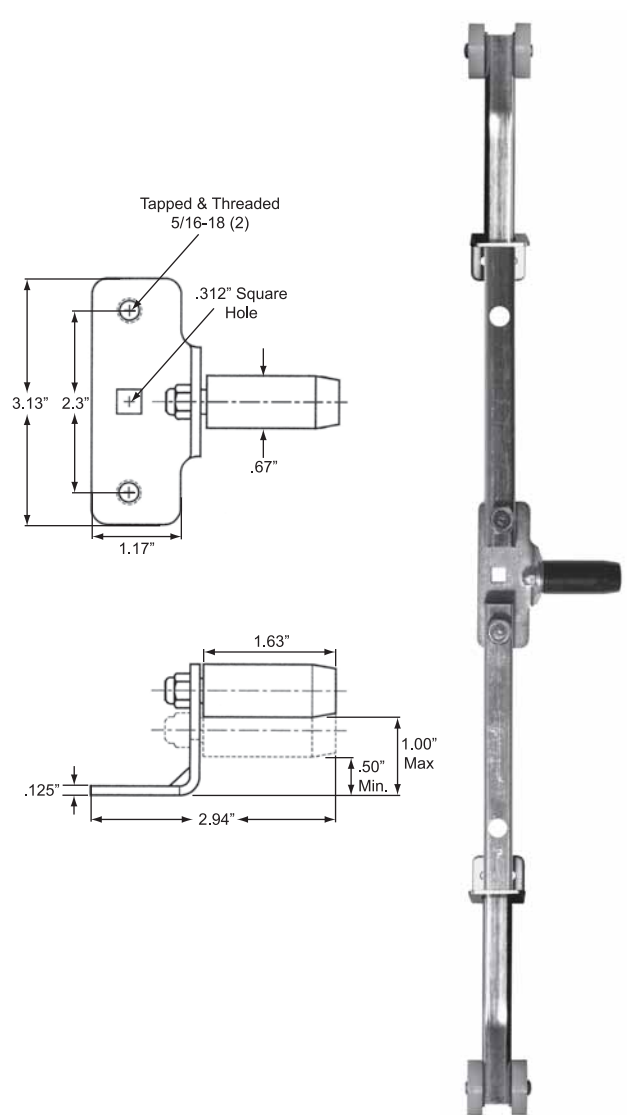
**Product # H5937002YZ** 36" Long Roller Rod Kit  
**Product # H5937001YZ** 48" Long Roller Rod Kit



## 3800 Series Roller Latch Kit

Same basic features as 3700 series kit with the addition of an adjustable nylon roller center cam which allows adjustment from 0.50" to 1". All kit components are yellow zinc finish.

**Product # H5938001YZ** 48" Long Roller Lock Kit

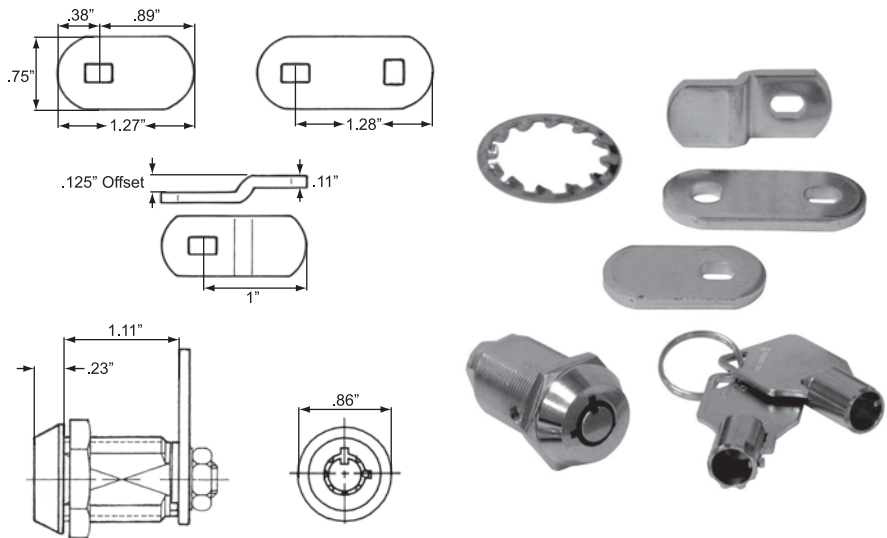


# CAMLOCK CYLINDERS

## Tubular Key Camlock Cylinder Kit

Seven pin tumbler security includes: short, long and offset cam profiles. Features nickel plated diecast housing and steel tubular keys. Key is removable in both locked and unlocked positions. Can be used on panels up to .875" thick.

Product # H59400ALZN



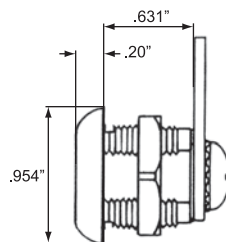
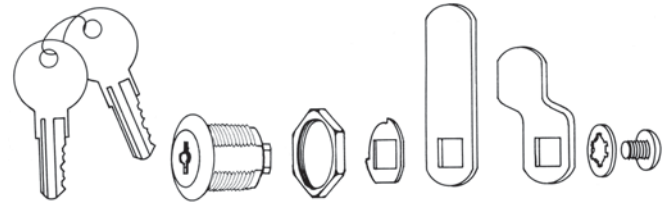
## Camlock Cylinder Kit

Five disc keyway security. Features stainless steel cap and cover, zinc diecast housing and cylinder with plated steel keys. Includes three straight cams and one offset 90 degree operation. Other keying options available on special order.

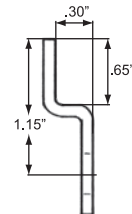
Product # H5916KA1ZN Key KA1

Product # H5916KA2ZN Key KA2

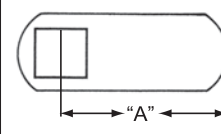
Product # H5916KA3ZN Key KA3



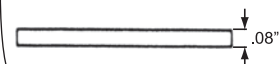
### Offset Cam



### Straight Cams



	"A"
Short Cam	1"
Medium Cam	1.5"
Long Cam	2"



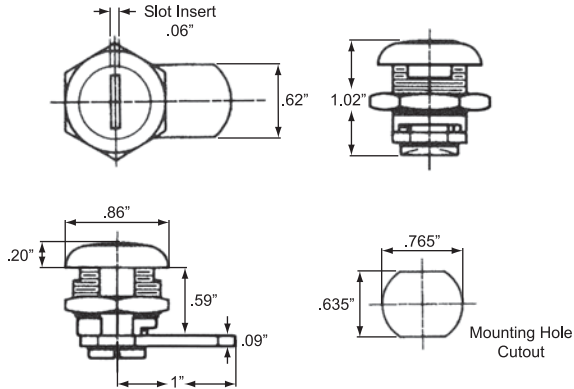
Please Review The Extensive Range Of Specialized Precision Camlocks Available Within Our Dirak Line

# QUARTER TURN CYLINDER LOCKS

Low profile quarter-turn latches with spring loaded ball provides a distinctive click when opened or closed. Supplied with straight cams, hex nut, lock washer and screw. Nickel plated with diecast barrel and insert. For use in panels up to .25" thick.

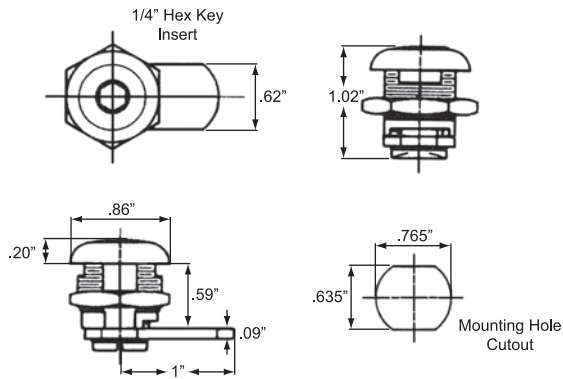
## Slot Insert Quarter Turn Latch

Product # H59520XANF



## 1/4" Hex Insert Quarter Turn Latch

Product # H59521XANF



## Low Profile Quarter Turn Thumb Catch With Black Thumb Knob

Product # H59522XANF

