

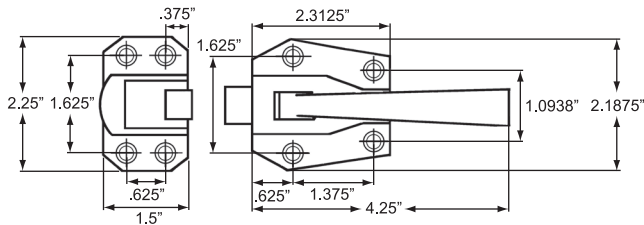
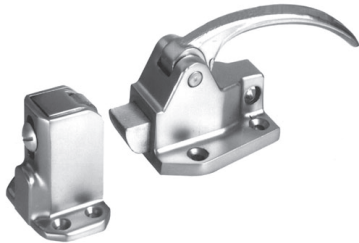
REFRIGERATION LATCHES

505 Series Stainless Steel Refrigeration Latch

Ideal for smaller doors. Composed of 304 stainless steel, adjustable roller strike, padlock hole in body, universal LH or RH application and mounts with # 8 countersunk fasteners.

Product # H59505FLSS Flush To 1/2" Offset

Product # H59505OFFSS 9/16" To 1-1/4" Offset

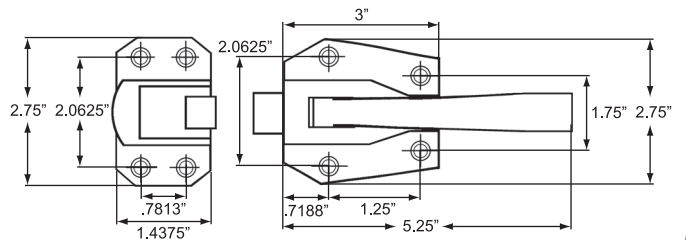
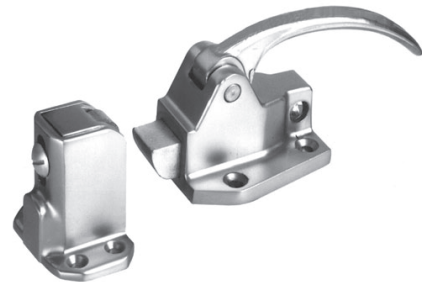


506 Series Stainless Steel Refrigeration Latch

Same features as number 505 only larger in size.

Product # H59506FLSS Flush To 3/8" Offset

Product # H59506OFFSS 1/2" To 1-1/4" Offset

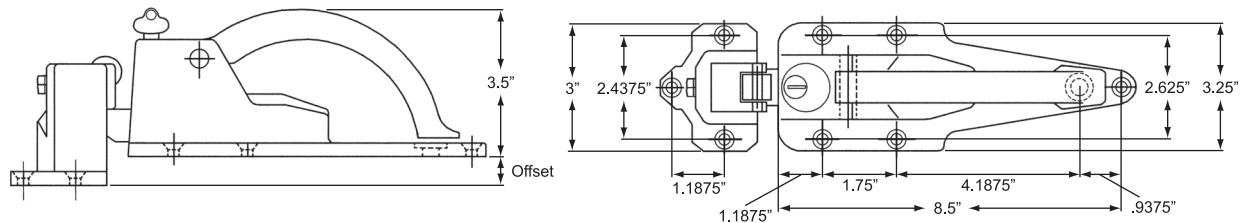


512 Series Stainless Steel Freezer Refrigeration Latch

Features keyed brass locking cylinder. Mounting holes drilled and countersunk for # 14 fasteners. Inside release available separately - use # 5032 or 5033.

Product # H59512FLSS Flush To 1/4" Offset

Product # H59512OFFSS 3/4" To 1-1/4" Offset



REFRIGERATION LATCHES

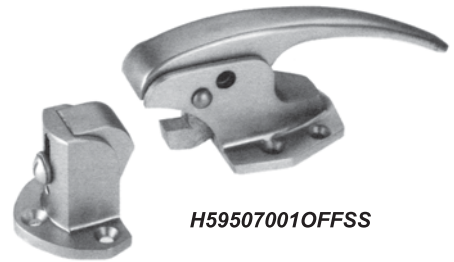
507 Series Tripmatic Style Latch

Features easy closing trip latch mechanism. Body, strike, and latch handle are 304 stainless steel and trip bolt is brass. Holes are drilled and countersunk for # 9 fasteners. Padlock hole in body.

Product # H59507001OFFSS 5/8" To 1-1/4" Offset

Product # H59507002OFFSS 5/16" To 9/16" Offset
(2 Hole Strike)

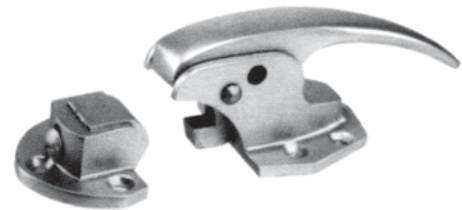
Product # H59507003FLSS Flush To 5/16" Offset



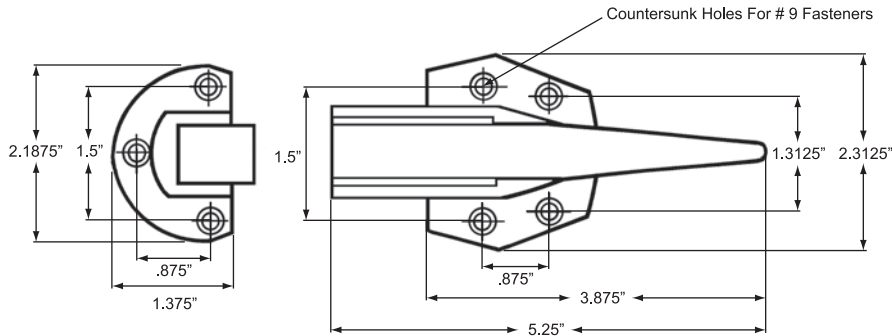
H59507001OFFSS



H59507002OFFSS



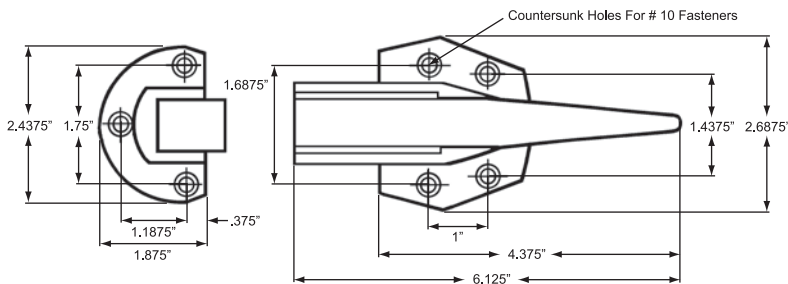
H59507003FLSS



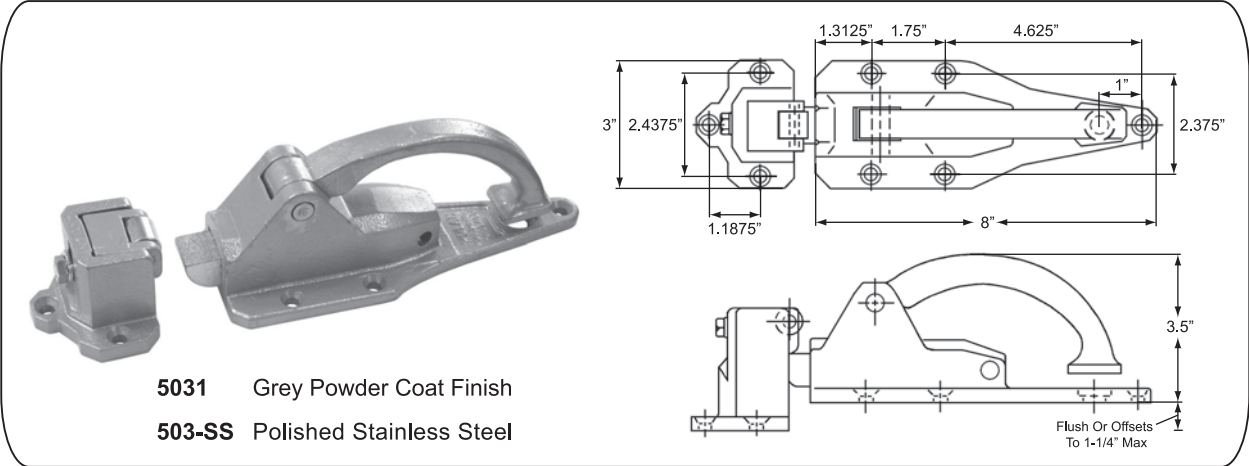
508 Series Tripmatic Latch

Same as 507-001 but larger. Chrome plated zinc die cast construction. Mounting holes are drilled and countersunk for # 10 fasteners. Padlock hole in body.

Product # H59508OFFCH 3/4" To 1-1/4" Offset



REFRIGERATION LATCHES



5031 Grey Powder Coat Finish
503-SS Polished Stainless Steel

5031 Series Heavy Duty Malleable Iron Freezer / Refrigeration Latch

Features adjustable roller strike and padlock provision (padlock not included). Mounting holes drilled and countersunk for # 14 fasteners. Powder coat silver grey finish. Inside release available separately - use # 5032 or 5033.

Please refer to the illustration above for dimensional information.

Product # H595031FLPC Flush To 1/2" Offset

Product # H595031OFFPC 5/8" To 1-1/4" Offset

503-SS Series Heavy Duty Polished 304 Stainless Freezer Latch

Features adjustable roller strike and padlock provision (padlock not included). Mounting holes drilled and countersunk for # 14 fasteners. Polished 304 stainless finish. Inside release available separately - use # 5032 or 5033.

Please refer to the illustration above for dimensional information.

Product # H59503FLSS Flush To 1/2" Offset

Product # H59503OFFSS 5/8" To 1-1/4" Offset

Inside Release Push Style Exit Bars

Straight and collapsible style exit bars for use with 503-SS, 512 and 503-001 series locks. Features 1/2" diameter rod suitable for doors up to 4.5" thick.

Product # H595032ZN Straight Style, Zinc Plated Finish

Product # H595032SS Straight Style, Plain 304 Stainless

Product # H595033ZN Collapsible Style, Zinc Plated Finish



REFRIGERATION LATCHES

504/514 Series Refrigeration Latches

504/514 series slim line refrigeration latches offer padlocking only or combination key cylinder locking with padlocking. Polished 304 stainless or grey powder coat finish. Adjustable roller striker are furnished flush (flush to the 7/16" offset) or offset (7/16" - 1/4" offset). Inside safety push rod is optional

Lock may be configured a double rod lock LH or RH by purchasing connecting tube and handle mounted connecting tube clamp.

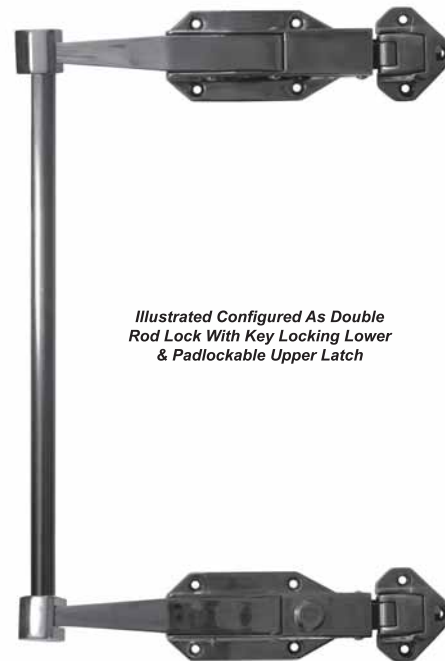
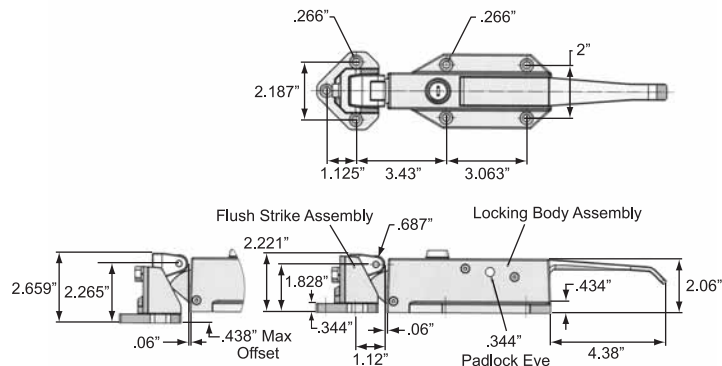
504/514 series latches feature compatible hole pattern mount to other major brand latches.

514SS/5141 Series Combination Key Locking & Padlocking

- Product # H59514FLSS Stainless Steel, Flush Strike, No Inside Release
- Product # H59514OFFSS Stainless Steel, Offset Strike, No Inside Release
- Product # H59514FLSSIR Stainless Steel, Flush Strike, With Inside Release
- Product # H59514OFFSSIR Stainless Steel, Offset Strike, With Inside Release
- Product # H595141FLPC Grey Powder Coat, Flush Strike, No Inside Release
- Product # H595141OFFPC Grey Powder Coat, Offset Strike, No Inside Release
- Product # H595141FLPCIR Grey Powder Coat, Flush Strike, With Inside Release
- Product # H595141OFFPCIR Grey Powder Coat, Offset Strike, With Inside Release

504SS/5041 Series Padlockable Only

- Product # H59504FLSS Stainless Steel, Flush Strike, No Inside Release
- Product # H59504OFFSS Stainless Steel, Offset Strike, No Inside Release
- Product # H59504FLSSIR Stainless Steel, Flush Strike, With Inside Release
- Product # H59504OFFSSIR Stainless Steel, Offset Strike, With Inside Release
- Product # H595041FLPC Grey Powder Coat, Flush Strike, No Inside Release
- Product # H595041OFFPC Grey Powder Coat, Offset Strike, No Inside Release
- Product # H595041FLPCIR Grey Powder Coat, Flush Strike, With Inside Release
- Product # H595041OFFPCIR Grey Powder Coat, Offset Strike, With Inside Release



Parts Needed To Configure As Double Rod Lock

Product # H59504SSCLAMP Handle Clamp (2 Required)

Product # H59504050SS .75" Diameter x 50" Length Connecting Tube; 80 Grit Satin Finish Stainless