

REFRIGERATION LATCHES

504/514 Series Refrigeration Latches

504/514 series slim line refrigeration latches offer padlocking only or combination key cylinder locking with padlocking. Polished 304 stainless or grey powder coat finish. Adjustable roller striker are furnished flush (flush to the 7/16" offset) or offset (7/16" - 1/4" offset). Inside safety push rod is optional

Lock may be configured a double rod lock LH or RH by purchasing connecting tube and handle mounted connecting tube clamp.

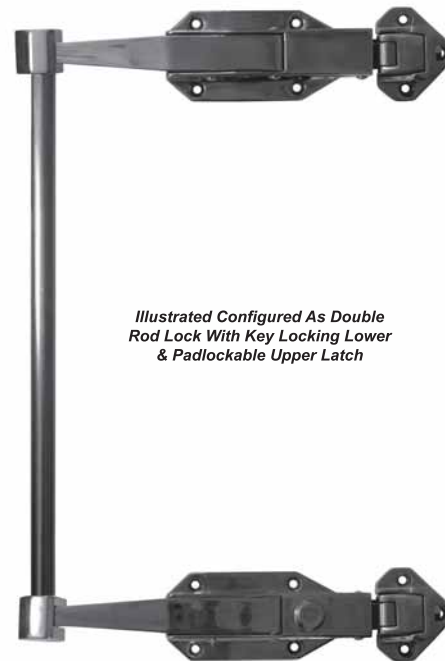
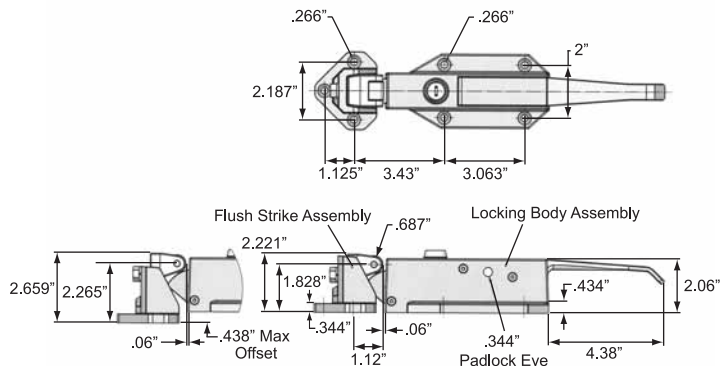
504/514 series latches feature compatible hole pattern mount to other major brand latches.

514SS/5141 Series Combination Key Locking & Padlocking

Product # H59514FLSS	Stainless Steel, Flush Strike, No Inside Release
Product # H59514OFFSS	Stainless Steel, Offset Strike, No Inside Release
Product # H59514FLSSIR	Stainless Steel, Flush Strike, With Inside Release
Product # H59514OFFSSIR	Stainless Steel, Offset Strike, With Inside Release
Product # H595141FLPC	Grey Powder Coat, Flush Strike, No Inside Release
Product # H595141OFFPC	Grey Powder Coat, Offset Strike, No Inside Release
Product # H595141FLPCIR	Grey Powder Coat, Flush Strike, With Inside Release
Product # H595141OFFPCIR	Grey Powder Coat, Offset Strike, With Inside Release

504SS/5041 Series Padlockable Only

Product # H59504FLSS	Stainless Steel, Flush Strike, No Inside Release
Product # H59504OFFSS	Stainless Steel, Offset Strike, No Inside Release
Product # H59504FLSSIR	Stainless Steel, Flush Strike, With Inside Release
Product # H59504OFFSSIR	Stainless Steel, Offset Strike, With Inside Release
Product # H595041FLPC	Grey Powder Coat, Flush Strike, No Inside Release
Product # H595041OFFPC	Grey Powder Coat, Offset Strike, No Inside Release
Product # H595041FLPCIR	Grey Powder Coat, Flush Strike, With Inside Release
Product # H595041OFFPCIR	Grey Powder Coat, Offset Strike, With Inside Release



Parts Needed To Configure As Double Rod Lock

Product # H59504SSCLAMP Handle Clamp (2 Required)

Product # H59504050SS .75" Diameter x 50" Length Connecting Tube; 80 Grit Satin Finish Stainless