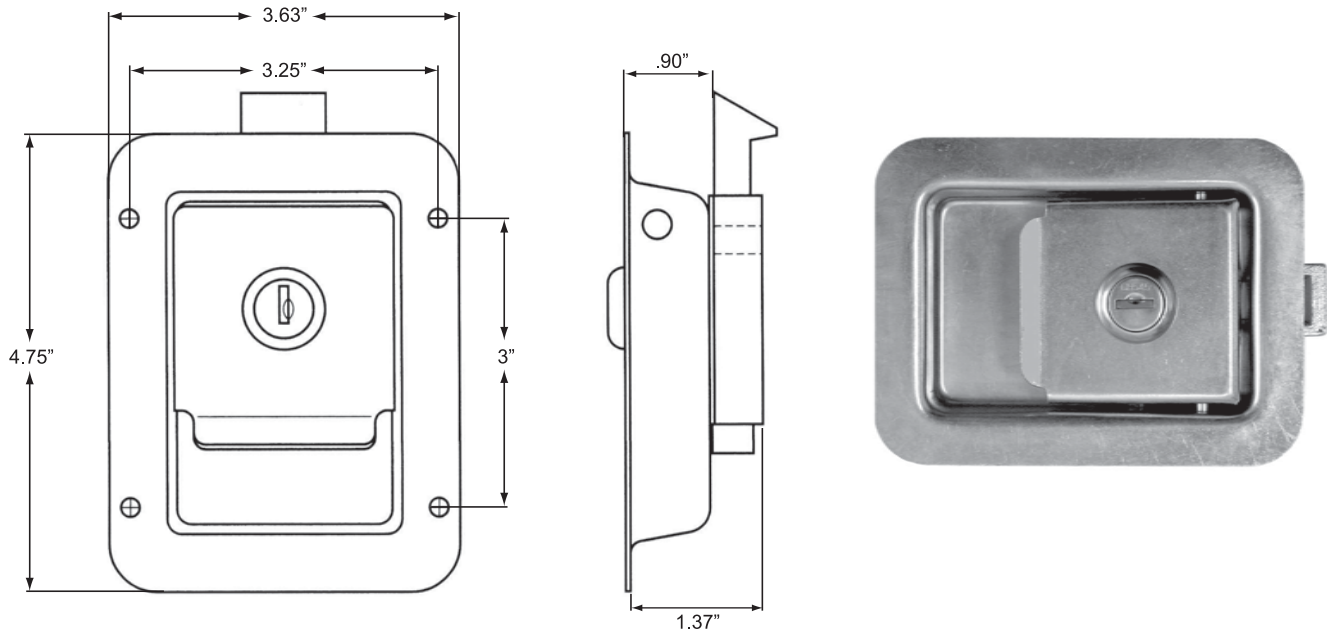


# PADDLE HANDLE LOCKS - JUNIOR 3.63" X 4.75"

## Slam Action Single Point Engagement Paddle Handle

Features integral trigger mechanism and 30° angled slam side bolt that is drilled and tapped to accept 1/4-20 threaded release knob or fastener. Available in non locking and key locking models and has a polished stainless pan with zinc plated slide bolt.



Product #	Finish	Keyed	Replacement Cylinder	Mounting Holes
H551MXXXZN	Zinc Plated	No	N/A	No
H551MMHXZN	Zinc Plated	No	N/A	Yes
H551MXXXSS	Polished Stainless	No	N/A	Yes
H551MLXXZN	Zinc Plated	Random	H60243175-___	No
H551MLMHZN	Zinc Plated	Random	H60243175-___	Yes
H551MLZN501	Zinc Plated	CH-501	H60243175-501	No
H551MLZN505	Zinc Plated	CH-505	H60243175-505	No
H551MLZN545	Zinc Plated	CH-545	H60243175-545	No
H551MLSS501	Polished Stainless	CH-501	H60243175-501	Yes
H551MLSS505	Polished Stainless	CH-505	H60243175-505	Yes
H551MLSS545	Polished Stainless	CH-545	H60243175-545	Yes