

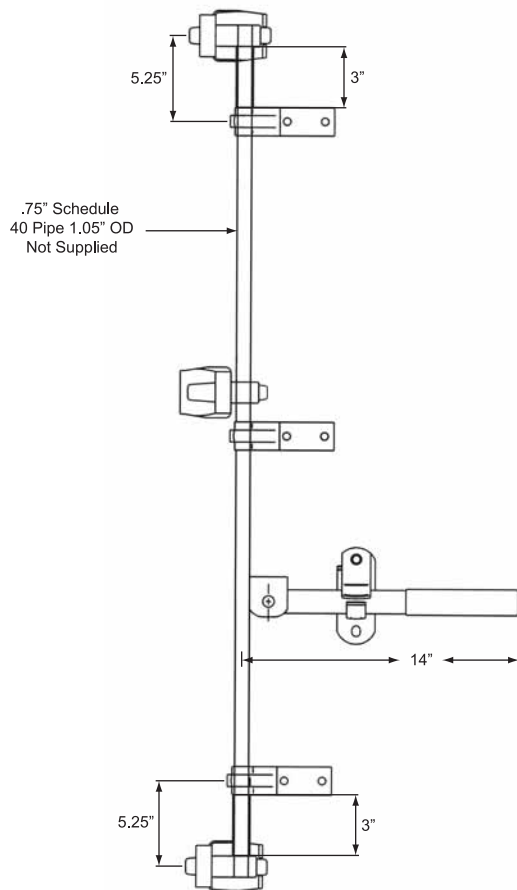
# CAM TYPE BAR LOCKS

## 458 Series Two and Three Point Cam Action Door Locks

"458" Series door locks feature anti-rack end cams and offer maximum flexibility with both two and three point configurations. Available with stamped or cast cams and either zinc plated steel or 304 stainless steel. Requires 1.05" OD tubing - not supplied for zinc plated kits, sold separate as option for stainless.

**Product # H574582XZN** Two Point Zinc Plated With Cast Cams  
**Product # H5745828ZN** Two Point Zinc Plated With Stamped Steel Cams  
**Product # H574582XSS** Two Point Mill Finish Stainless Steel

**Product # H574583XZN** Three Point Zinc Plated With Cast Cams  
**Product # H5745838ZN** Three Point Zinc Plated with Stamped Steel Cams  
**Product # H574583XSS** Three Point Mill Finish Stainless Steel



*Illustrated RH Configured  
Three Point With Cast Cams*

**\*\* POMAR Would Be Pleased To Quote Your Lock Kits In Pre-Welded Configurations, Saving You Labour. Contact Us With Your Specifications - Please Refer To Page 48. \*\***

# CAM TYPE BAR LOCKS

## 458 Series Replacement Parts

Zinc plated lock parts listed. Substitute "ZN" with "SS" for stainless.

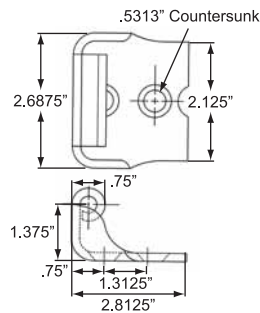
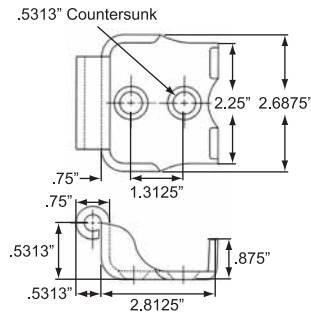
- Product # H60611HXZN** Handle and Clip Assembly
- Product # H60611HKZN** Handle Keeper
- Product # H60458201ZN** Anti-Rack End Cam Keeper (2)
- Product # H60458202ZN** Center Cam Keeper (3-PT Lock)
- Product # H60458203ZN** Spacer Sleeve 3" Long (2)
- Product # H60458216ZN** Stamped Style Anti-Rack Cam
- Product # H60458206ZN** Cast Style Anti-Rack Cam
- Product # H60458210ZN** Bottom Pipe Retainer Offset
- Product # H60458209ZN** Top Pipe Retainer Offset

### Stainless Tubing 1.05" OD

- Product # H60T61196SS** 96" Long
- Product # H60T611120SS** 120" Long



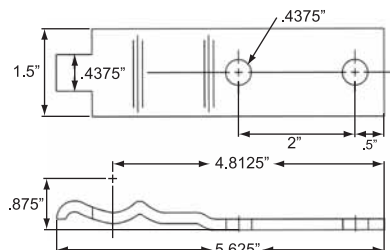
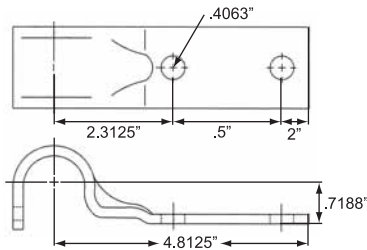
H60458201ZN



H60458202ZN



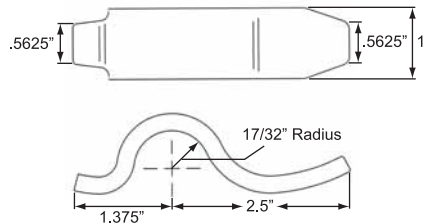
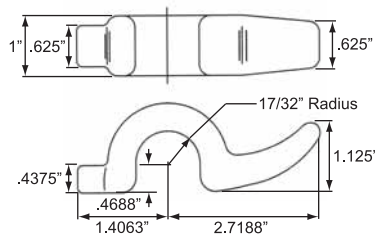
H60458209ZN



H60458210ZN



H60458206ZN



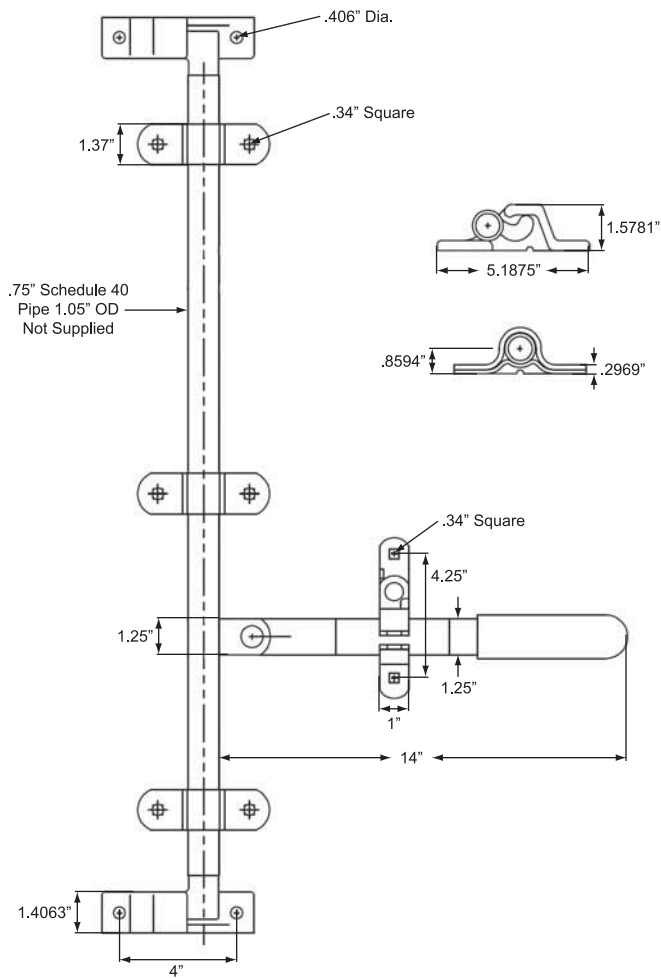
H60458216ZN

# CAM TYPE BAR LOCKS

## 611-LD Series Two Point Light Duty Steel Cam Lock Kit Zinc Plated

Low profile narrow style keepers allow for minimal projection making this lock ideal for side doors on truck bodies and cargo trailer applications. Cams and keepers are ductile iron construction, inner bearing brackets are nylon, and all other parts are stamped steel and zinc plated. Requires 1.05" OD tubing - **Not Supplied**.

**Product # H57611LDZN**



*Illustrated  
RH Configured*

### Replacement Parts

<b>Product # H60611LDBCZN</b>	Bottom Cam
<b>Product # H60611LDBCKZN</b>	Bottom Cam Keeper
<b>Product # H60611LDTCKZN</b>	Top Cam
<b>Product # H60611LDTCKZN</b>	Top Cam Keeper
<b>Product # H60611LDHXZN</b>	Handle & Clip Assembly
<b>Product # H60611LDHKZN</b>	Handle Keeper - Narrow With Square MTG Holes
<b>Product # H60611LDOBZN</b>	Outer Bearing Plate (3)
<b>Product # H60611IBNY</b>	Nylon Inner Bearing (3)

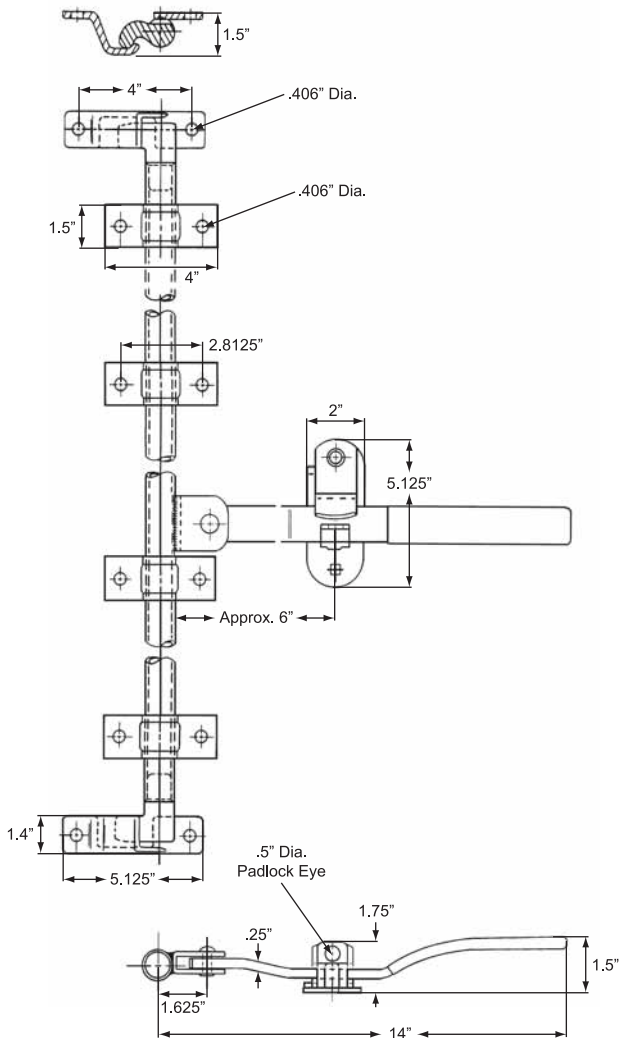
*\*\* POMAR Would Be Pleased To Quote Your Lock Kits In Pre-Welded Configurations, Saving You Labour. Contact Us With Your Specifications - Please Refer To Page 48. \*\**

# CAM TYPE BAR LOCKS

## 611-LD Two Point Light Duty Stainless Steel Cam Lock Kit

Mill finish 304 stainless steel lock components feature low profile cams and keepers and four inner/outer tubing bearing brackets. Tubing sold separately.

Product # H57611LDSS



Illustrated  
RH Configured

### Replacement Parts

Product # H60611LDBCSS	Bottom Cam
Product # H60611LDBCKSS	Bottom Cam Keeper
Product # H60611LDTCSS	Top Cam
Product # H60611LDTCKSS	Top Cam Keeper
Product # H60611LDHXSS	Handle & Clip Assembly
Product # H60611LDHKSS	Handle Keeper Assembly
Product # H60611LDOBSS	Outer Bearing Plate (4)
Product # H60611IBSS	Inner Bearing Plate (4)

### Stainless Tubing

Product # H60T61196SS	1.05" OD x 96"
Product # H60T611120SS	1.05" OD x 120"

\*\* POMAR Would Be Pleased To Quote Your Lock Kits In Pre-Welded Configurations, Saving You Labour. Contact Us With Your Specifications - Please Refer To Page 48. \*\*

# CAM TYPE BAR LOCKS

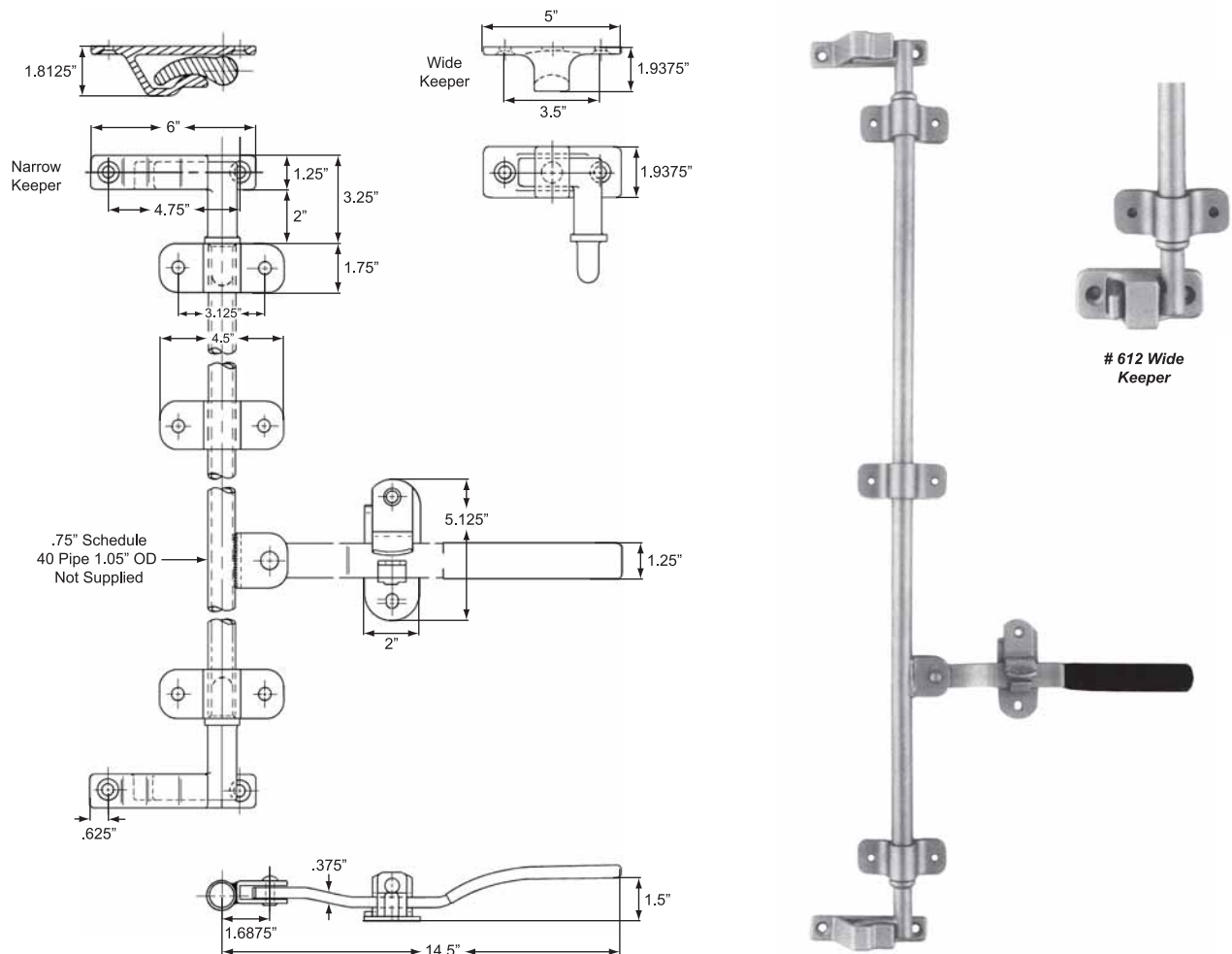
## 611 And 612 Series Two Point Cam Action Door Locks

Heavy duty cam action series locks are well suited for side and rear swing door applications. Features cast cams and keepers for durability. Supplied with standard flush keepers. Stocked in zinc plated steel and 304 polished stainless steel. Requires 1.05" OD tubing - not supplied for zinc plated kits, sold separate as option for stainless.

**Product # H57611XXZN** Zinc Plated Steel With Narrow Cam Keepers 1.25"

**Product # H57611XXSS** Polished Stainless Steel With Narrow Cam Keepers 1.25"

**Product # H57612XXZN** Zinc Plated Steel With Wide Cam Keeper Option 1.9375"



**\*\* POMAR Would Be Pleased To Quote Your Lock Kits In Pre-Welded Configurations, Saving You Labour. Contact Us With Your Specifications - Please Refer To Page 48. \*\***

# CAM TYPE BAR LOCKS

## Replacement Parts 611 and 612 Series Locks

Zinc plated parts listed, substitute "ZN" with "SS" for stainless.

**Product # H60611BCZN** Bottom Cam



H60611BCZN

**Product # H60611BCKZN** Bottom Cam Keeper - Narrow



H60612CKZN

**Product # H60611TCZN** Top Cam

**Product # H60611TCKZN** Top Cam Keeper - Narrow



H60611OBZN

**Product # H60612CKZN** Universal Top or Bottom Cam Keeper - Wide

**Product # H60611IBZN** Inner Tube/Rod Retainer Bracket

**Product # H60611OBZN** Outer Tube/Rod Retainer Bracket

**Product # H60611HXZN** Handle and Clip Assembly

**Product # H60611HKZN** Handle Keeper Assembly



H60611HKZN

H60611TCZN

## Two Point Cam Action Door Locks: Options

**Product # H60611AHZN** Zinc Plated Adjustable Handle Assembly



H60611AHZN

**Product # H6061113ZN** Zinc Plated Inside Safety Release



H6061113ZN

## Stainless Tubing

**Product # H60T61196SS** 1.05" OD x 96" Stainless Tubing

**Product # H60T611120SS** 1.05" OD x 120" Stainless Tubing



# CAM TYPE BAR LOCKS

## DLBK Series Anti-Rack Two Point Lock With Bolt On Keepers

Heavy duty anti-rack truck body trailer or container bar lock with bolt-on style keepers. Stocked in both hot dip galvanized finish and electropolish stainless steel. Stainless tubing option also available.

**Product # H57DLBKSS** Electropolish Stainless Steel

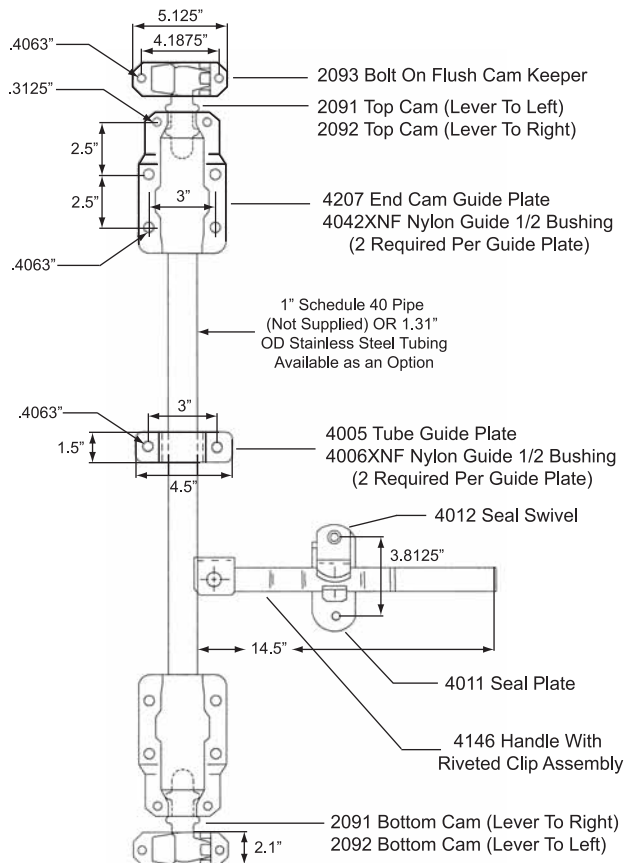
**Product # H57DLBKGA** Hot Dip Galvanized Finish

### Stainless Steel Tubing

**Product # H60TDLBK98SS** 98" Length

### Right Hand Lock Demonstrating Dimensions and Component Parts

Add Suffix "XGA" for Galvanized or "XSS" for Stainless to Part Numbers



### Parts Not Illustrated

- Product # H601064XGA** Galvanized Flush Weld On Cam Keeper
- Product # H604054XPL** Plain Finish 7/16" Offset Weld On Cam Keeper
- Product # H604049XSS** Stainless Steel Handle to Clip Rivet
- Product # H604090XGA** Galvanized Replacement Handle Only

**\*\* POMAR Would Be Pleased To Quote Your Lock Kits In Pre-Welded Configurations, Saving You Labour. Contact Us With Your Specifications - Please Refer To Page 48. \*\***