

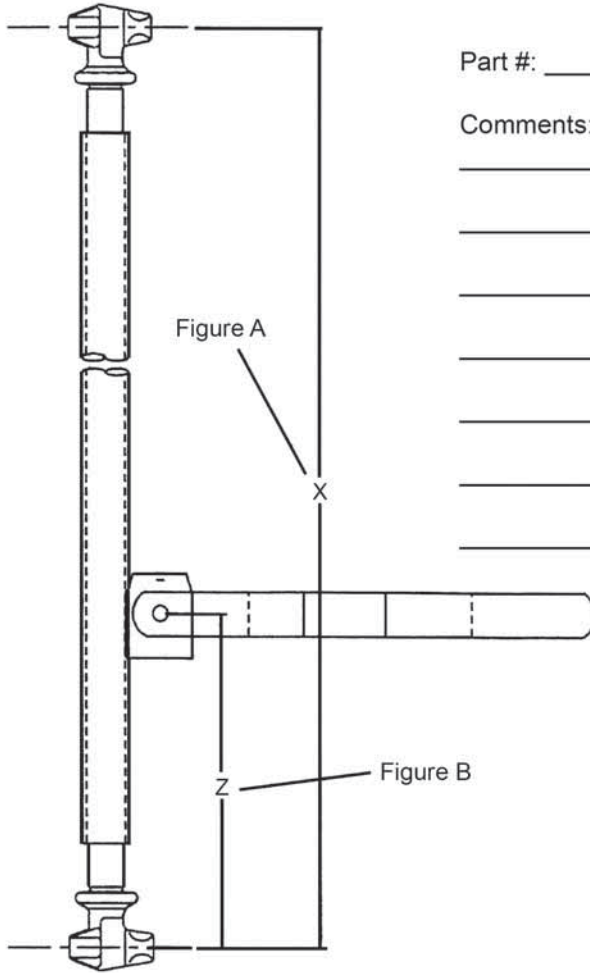
# BAR LOCK WELDMENT SPECIFICATIONS FORM

**POMAR**

HARDWARE & SUPPLY INC.

95 Nuggett Court  
Brampton, ON  
L6T 5A9

Local Tel: 905-791-1858  
International Tel: 800-739-0813  
Fax: 905-791-3539  
International Fax: 800-668-5446



Part #: \_\_\_\_\_

Comments:

\_\_\_\_\_

\_\_\_\_\_

\_\_\_\_\_

\_\_\_\_\_

\_\_\_\_\_

\_\_\_\_\_

Figure A Length Center to Center of Cams: Dimension "X" - \_\_\_\_\_

Figure B Length Center of Bottom Cam to Center of Handle Pin: Dimension "Z" - \_\_\_\_\_

Lock to be Welded with Handle to - Left: \_\_\_\_\_ Right: \_\_\_\_\_ (Illustration is to Right)

Customer: \_\_\_\_\_ PO#: \_\_\_\_\_ Date: \_\_\_\_\_