

PADDLE HANDLE LOCKS - MINI & SIDE HOOK

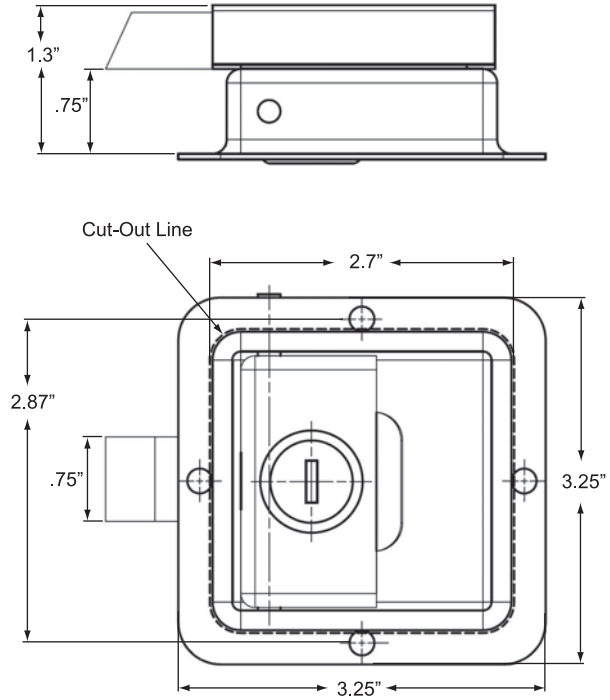
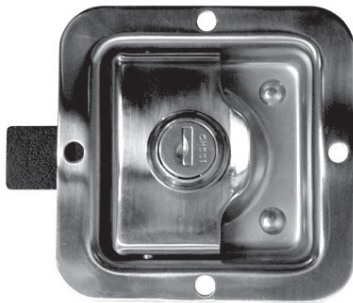
Stainless Steel Mini Paddle Handle

Features compact square 3.25" x 3.25" flange, 45° slam bolt, 4 x .20" diameter mounting holes and has a polished stainless pan with zinc plated slide bolt.

Product # H551SXXXSS Non Locking

Product # H551SLXXSS Key Locking, CH-501

Product # H60243180-501 Replacement Cylinder



Stainless Steel Mini Paddle Handle Tool Box Latch

3.25" x 4.36" stainless steel mini paddle handle tool box latch. Features polished stainless pan with 4 x .20" diameter mounting holes and zinc plated rotating hook activator which has hole to accept .25" diameter connector rod (not included) to allow interconnection of two latch assemblies.

Product # H551SPXXSS Non Locking

Product # H551SPLXSS Key Locking

