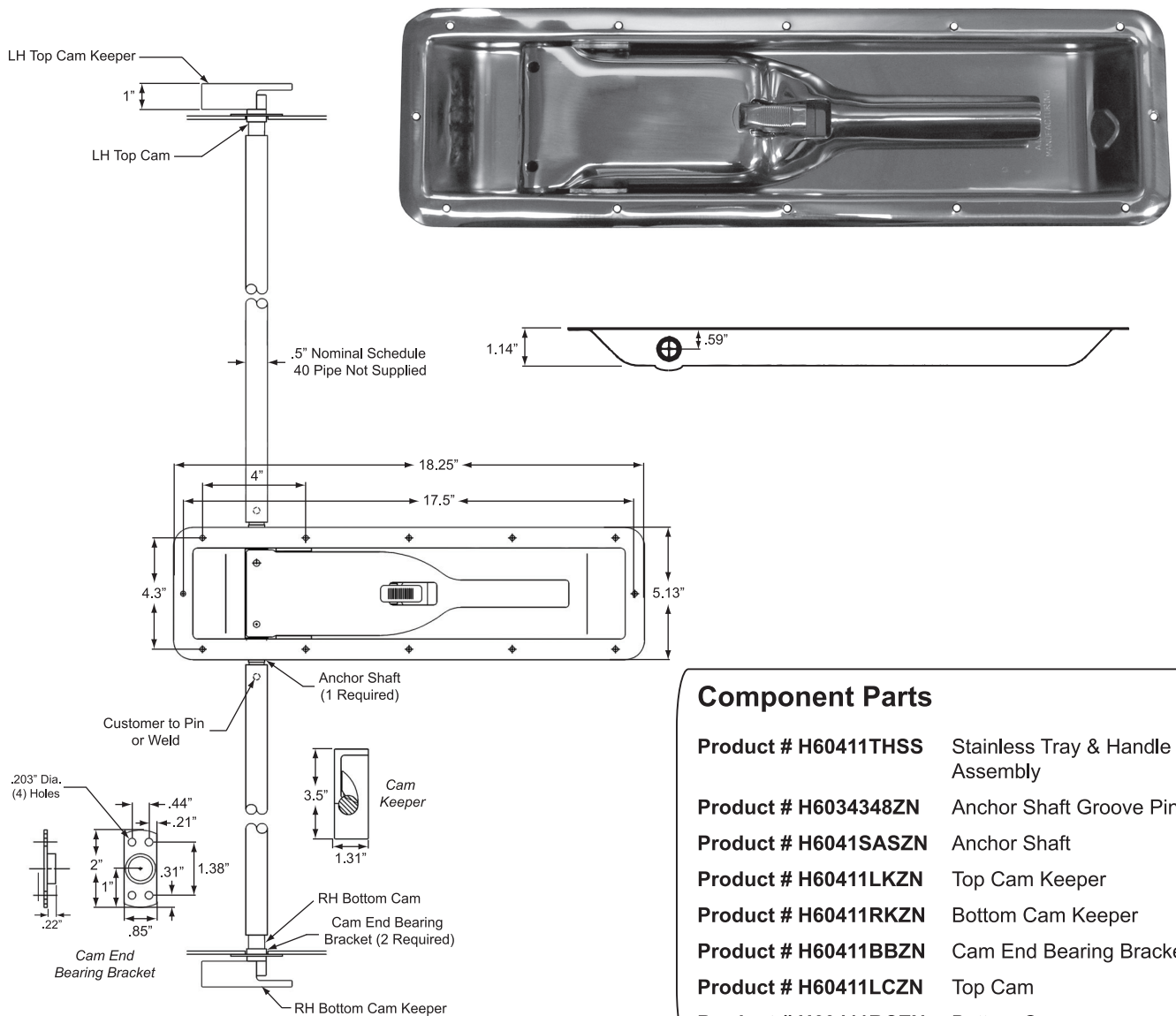


RECESSED PAN SIDE DOOR LOCK

411 Series Recessed Pan Door Lock Kit

Thin pan design allows for installation in doors as thin as 1-1/8" thick allowing for smooth surface on doors exterior. Ideal for truck bodies with aluminum side door applications. Features forged cams and keepers. Uses .5" schedule 40 pipe - **Not Supplied**.

Product # H57411S1SS Stainless Steel Tray and Handle, Zinc Plated Component Parts

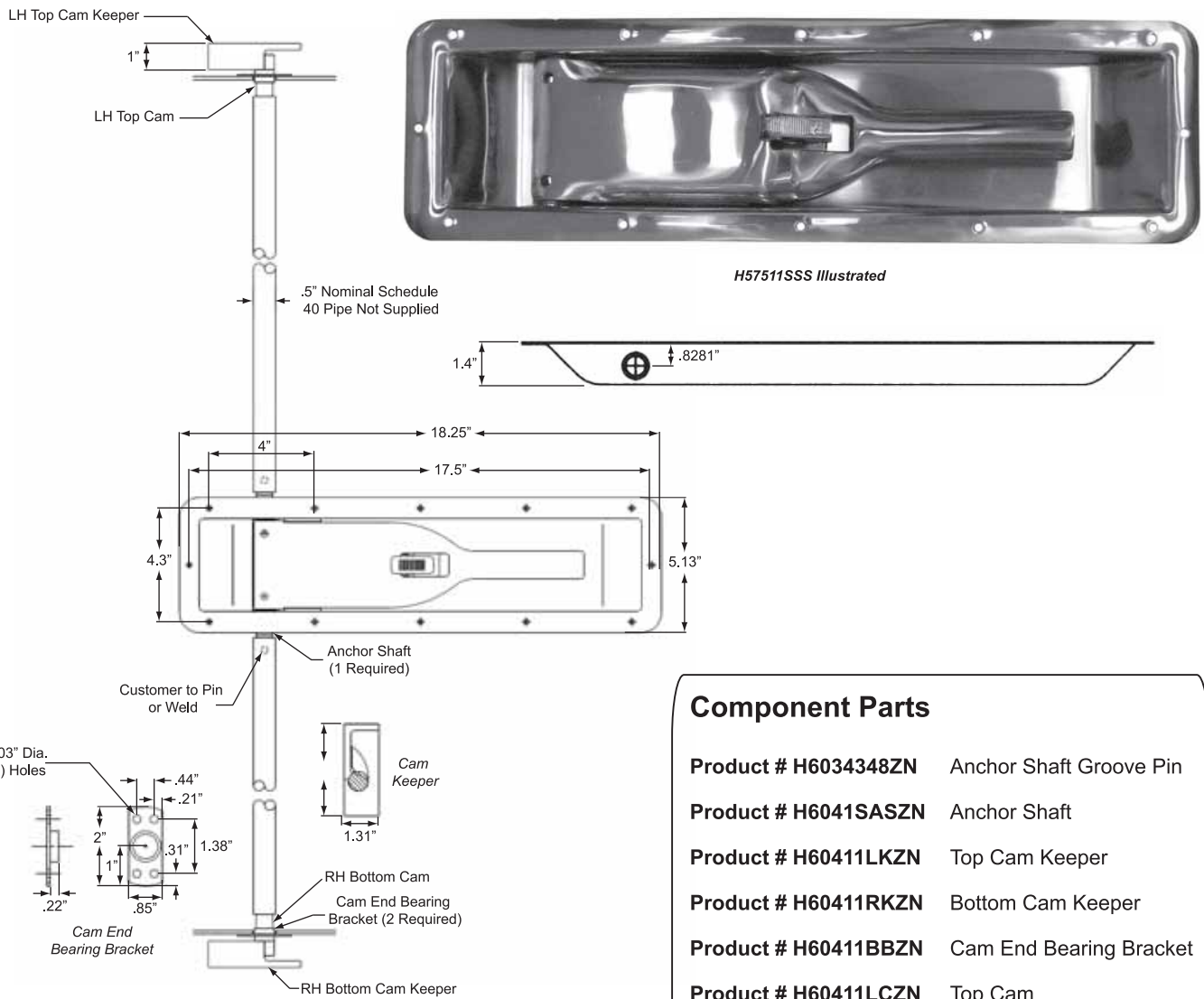


RECESSED PAN SIDE DOOR LOCK

511 Series Recessed Deep Pan Door Lock Kit

Deep pan designed for thicker doors with a minimum between panel spacing of 1-1/2". Features forged cams and keepers, and a high luster stainless pan with handle. Uses .5" schedule 40 pipe - **Not Supplied**.

Product # H57511SSS Stainless Steel Try And Handle With Zinc Plated Component Parts



Component Parts

- Product # H6034348ZN** Anchor Shaft Groove Pin
- Product # H6041SASZN** Anchor Shaft
- Product # H60411LKZN** Top Cam Keeper
- Product # H60411RKZN** Bottom Cam Keeper
- Product # H60411BBZN** Cam End Bearing Bracket
- Product # H60411LCZN** Top Cam
- Product # H60411RCZN** Bottom Cam