

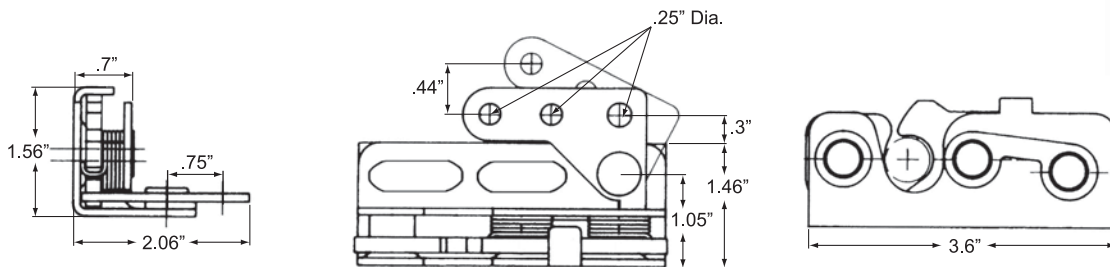
# ROTARY LATCHES

## 350 Series - Vertical Mount Two Stage Rotary Latch

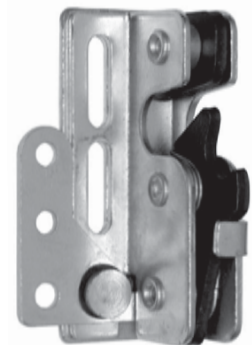
350 series vertical mount two stage rotary latch with three hole actuator and slotted mounting holes in base for multiple mounting placement. Same features as 450 series latches. Meets FMVSS206 specifications when used with 450-50 striker bolt. Zinc plated latch housing.

**Product # H583503LZN** LH Three Hole Actuator

**Product # H583503RZN** RH Three Hole Actuator



*Drawing Illustrates RH*



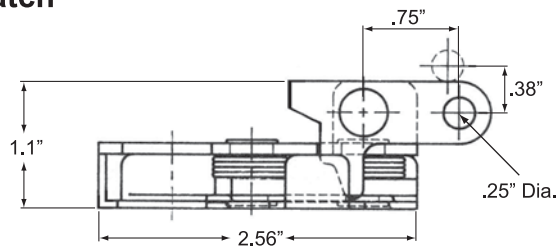
*LH Shown*

## 200 Series Mini Two Stage Rotary Latch

200 series mini two stage rotary latch with single hole actuator and 1/4-20 stud mounting. Ideal for tight applications. Zinc plated latch housing.

**Product # H582001LHZN**

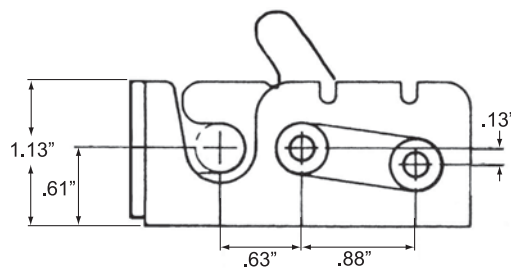
**Product # H582001RHZN**



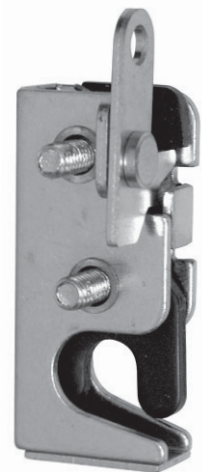
### Striker Pin

.38" Dia. x 1.45" Long x 5/16-18 x .4" Thread.

**Product # H5820050ZN** Yellow Zinc Finish



*Drawing Illustrates RH*

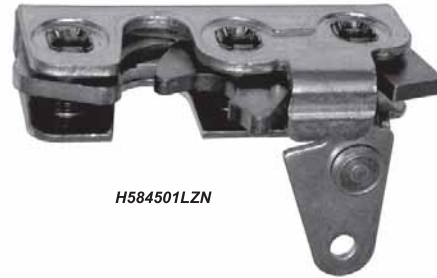


*RH Shown*

# ROTARY LATCHES

## 450 Series - Two Stage Rotary Latch

450 series two stage rotary latch provides a primary and secondary latch function. Available with either single or two hole actuators. LH or RH configured. Meets FMVSS 206 specifications when used with 450-50 striker bolt sold separately. Zinc plated latch housing.



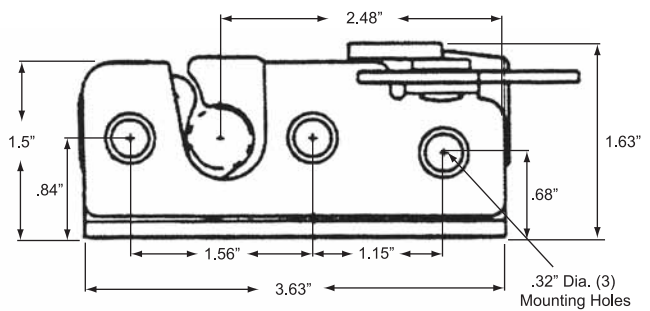
H584501LZN

**Product # H584501LZN** LH Single Hole Actuator Latch

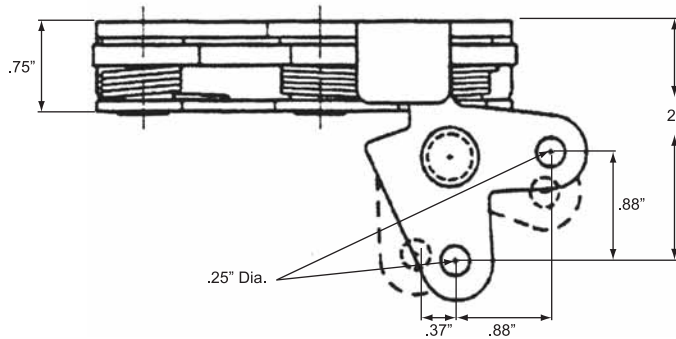
**Product # H584501RZN** RH Single Hole Actuator Latch

**Product # H584502LZN** LH Two Hole Actuator Latch

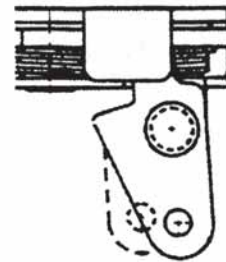
**Product # H584502RZN** RH Two Hole Actuator Latch



H584502LZN Illustrated



H584501LZN Illustrated



## Striker Bolt Assembly

Special headed plated striker bolt with integral cupped washer specific for 450 series rotary latch.

**Product # H5845050ZN**

