

T-STYLE PARTS

1" Vertical Track & Angle Assembly For Standard T-Style Dry Freight Doors

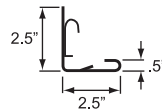
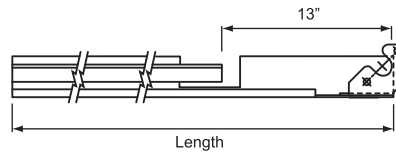
14 gauge galvanized steel.

Product # H67490141 Curbside Up To 100" High

Product # H67490142 Roadside Up To 100" High

Product # H67490143 Curbside 101" To 114" High

Product # H67490144 Roadside 101" To 114" High

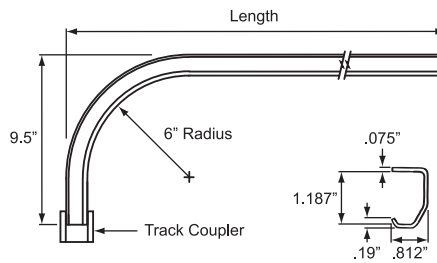


6" Radius 1" Horizontal Tracks For Standard T-Style Dry Freight Doors

14 gauge galvanized steel.

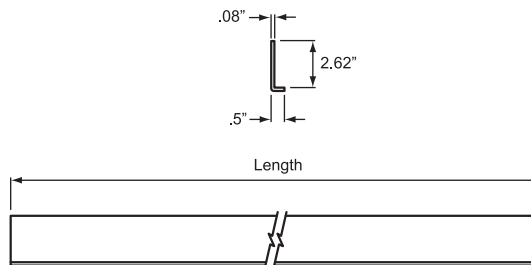
Product # H67497021 Curbside 120" Overall Length

Product # H67497022 Roadside 120" Overall Length



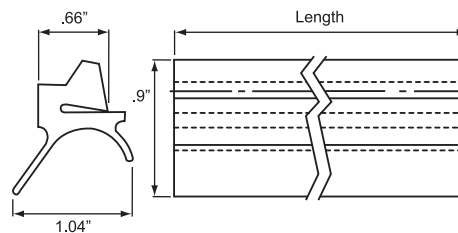
Bottom Seal Retainer Angle

Product # H6761191GA Galvanized Steel
96" OAL



Bottom Door Seal

Product # H6780840BK Extruded Rubber Seal
96" OAL



T-STYLE PARTS

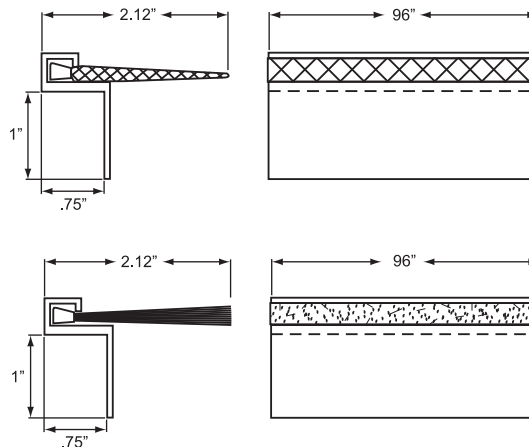
Head Seals & Retainer

Aluminum extruded retainer used with T-style rubber or brush style seals. Mounted to top door panel.

Product # H6769790X Extrusion Only; 96" OAL

Product # H6769718X Rubber Seal; 96" OAL

Product # H6769719X Brush Seal; 96" OAL



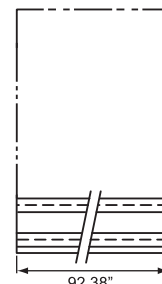
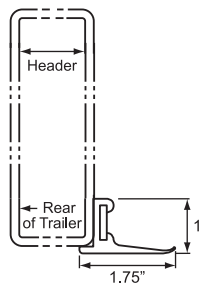
Header Mounted Seal & Retainer

Rubber seal and steel retainer mount to inside of header.

Product # H6761402BK Rubber Head Seal; 96" OAL

Product # H6761403GA Steel Retainer Strip With Holes; 96" OAL

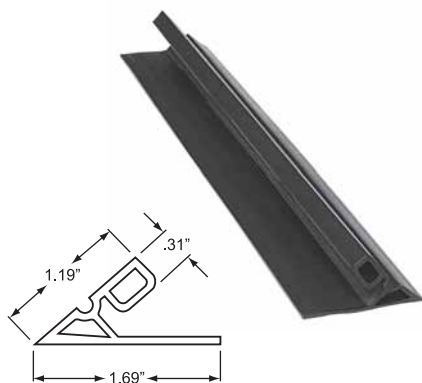
Product # H6769770X Seal & Retainer Assembly; 92" OAL



Side Seals

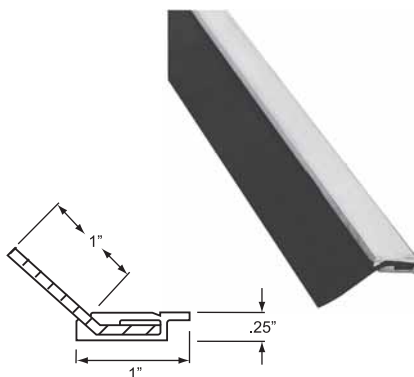
Rubber extruded side seal used with "J" channel vertical 1" tracks. 116" OAL. Sold per each.

Product # H6761390BK



Reinforced rubber mounted to aluminum extrusion retainer. 116" OAL. Sold per each.

Product # H6769922NF



Brush style seal with aluminum extruded retainer mounts to post. 116" OAL. Sold per each.

Product # H6764072X

