

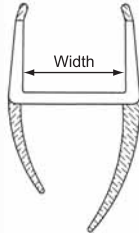
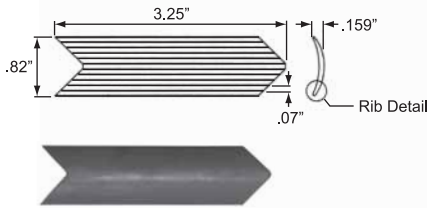
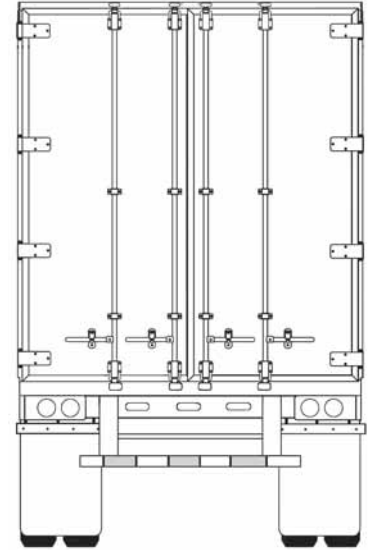
# DUAL DUROMETER SEALS & ACOUSTICAL FOAM

## Swing Door Dual Durometer Door Seals

Dual durometer door seals will keep the elements on the outside away from valuable cargo. Light grey in colour, the rigid channel features pliable legs for the seal between the frame and door while two mini tips extend from the channel to seal against the door panel face inside and outside. **Note that door seals are not able to ship by courier due to length and will require common carrier truck freight.**

Corner tabs are used to conceal the 45 degree mitered corners and provide an attractive finished look to the door panel. **Corner tabs are sold by the each in master packages of 24 pieces.**

Product #	Description	Door Panel Thickness	Length
R22100814GY	Seal	1/2"	168"
R22100914GY	Seal	3/4"	168"
R22101014GY	Seal	1"	168"
R22101214GY	Seal	1-1/4"	168"
R221050GY	Corner Tab	n/a	n/a



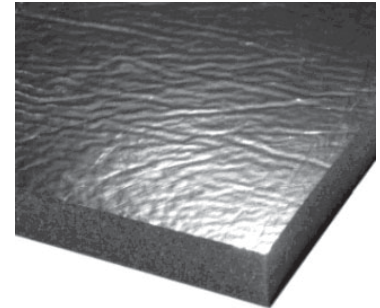
## Sound Deadener - Metallized Film Backed

Acoustical foam sound absorbing flexible polyester polyurethane with metallized polyester film backed sheet is specifically formulated to absorb airborne random incidence noise. Excellent form of noise control for interiors of vehicular cabs and compartments. Complies with FMVSS302 for flammability. Foam density ASTM D 3574-86.

Supplied in sheets 1/2" Thick x 54" Wide x 72" Length

Product # R2154725BK

**\*\* May Also Be Special Ordered In 54" Wide x 150 FT Rolls \*\***



## Sound Deadener - Black Vinyl Perforated Face

Combination perforated vinyl film bonded to a polyester polyurethane foam formulated to absorb random incidental noise. The perforated black vinyl provides a scuff and wear resistant surface for the acoustical foam and makes it ideal for vehicular interior applications and does not require further covering. Complies with FMVSS302 for flammability. Foam density ASTM D 3574-86.

Supplied in rolls 1" Thick x 54" Wide x 150 FT Length

Product # R21V100150BK

**\*\* Other Thicknesses And Colours Are Available Upon Request. Minimum Order Quantity May Apply. \*\***

