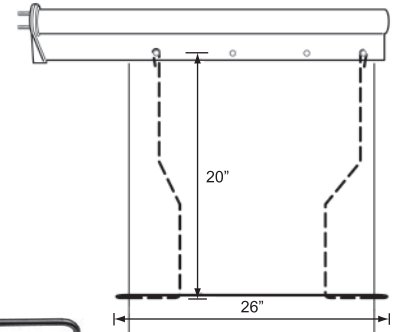
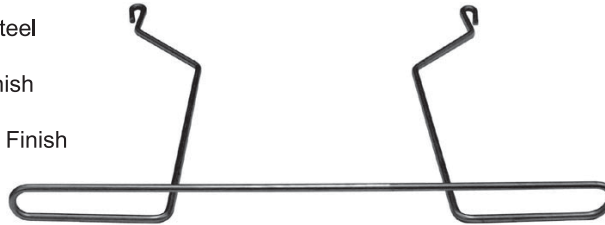


Anti-Sail Splashguard Brackets

Made from .31" diameter wire with .38" diameter mounting eyes. Accommodates all 24" wide splashguards up to a maximum thickness of 1". Sold by the each.

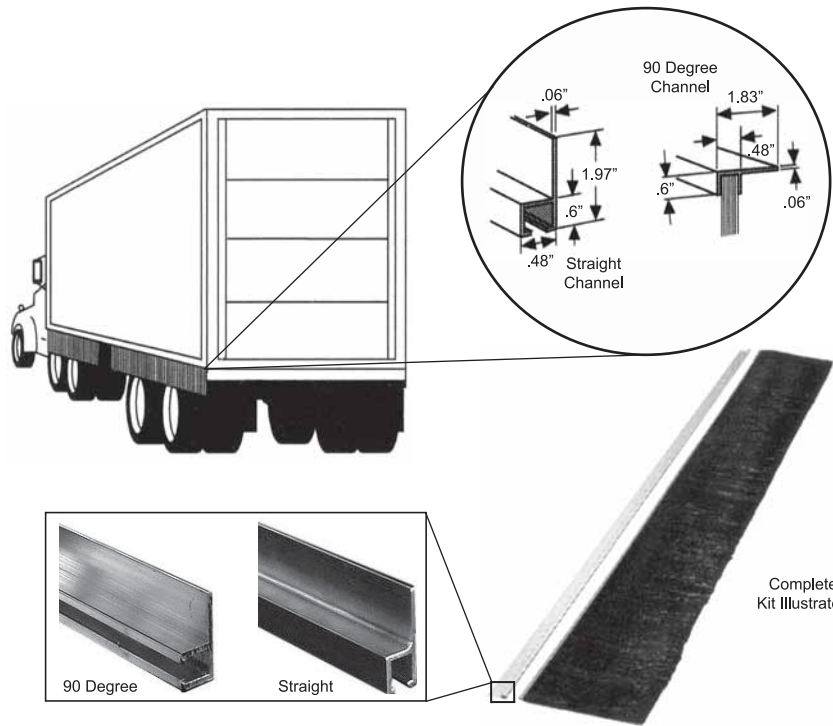
- Product # R29190010 Stainless Steel
- Product # R29190012 Chrome Finish
- Product # R29190014 Galvanized Finish



Spray Suppression Skirt Kits

Brush strip allows air to flow freely through while reducing water spray allowing for better visibility and cleaner vehicles. Kit includes two aluminum extruded channels and two brush skirts. Available in configurations including 6", 9", or 12" brush skirt and either straight or 90 degree mounting channel. **Replacement components are available separately upon special order.**

- Product # R2931718NF Kit With 12" Brush & 90 Degree Channel
- Product # R2931719NF Kit With 6" Brush & Straight Channel
- Product # R2931720NF Kit With 9" Brush & Straight Channel
- Product # R2931721NF Kit With 12" Brush & Straight Channel



RF-8920 Series Flush Mount Rubber Fender Extension

Narrow profile rubber fender extension is available in continuous rolls of 100 FT or cut lengths of 10 FT or more.

Product # R21RF892BK

