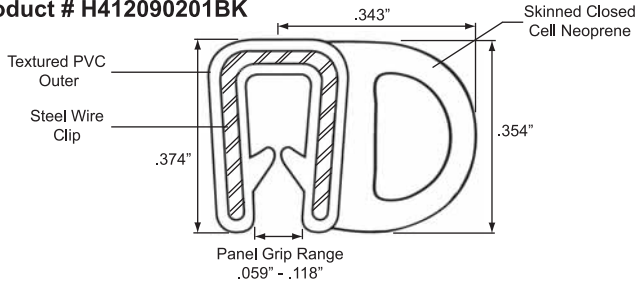


# BULBSEAL, EDGETRIM & WINDOW CHANNEL

## 209-0201 End Mount Black Bulbseal

Sold in rolls of 50 metres.

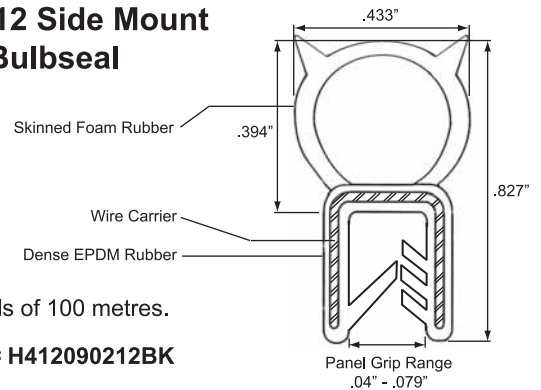
Product # H412090201BK



## 209-0212 Side Mount Black Bulbseal

Sold in rolls of 100 metres.

Product # H412090212BK

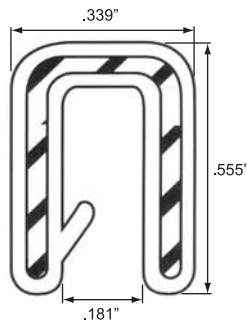


**Self Gripping Edge Trim Protectors Feature Extruded Textured Vinyl Exterior With An Integral Flexible Wire Carrier Core For Reinforcement And Flange Mounting**

## Single Fin Black Edgetrim

Panel grip range .125" - .1875".  
Sold in rolls of 100 FT.

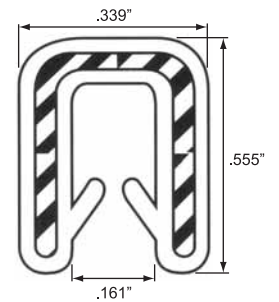
Product # R22XX500BK



## Double Fin Black Edgetrim

Panel grip range .04" - .1".  
Sold in rolls of 100 FT.

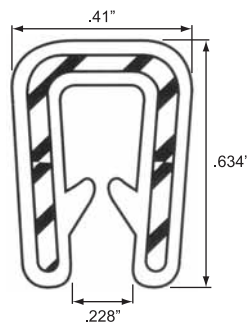
Product # R22XX510BK



## Double Fin Black Edgetrim

Panel grip range .07" - .13".  
Sold in rolls of 350 FT.

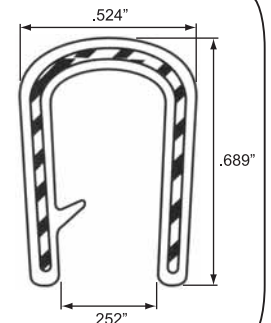
Product # R22XX610BK



## Single Fin Black Edgetrim

Panel grip range .2" - .245".  
Sold in rolls of 250 FT.

Product # R22XX710BK



## Black Tri-Pile Glass Run Channel

Tri-pile glass run channel offers considerable advantages over rubber extrusions in terms of weight, appearance and near flush setting with only 3 mm of set back. Sold in rolls of 2500 FT.

Product # R22TP09509645

