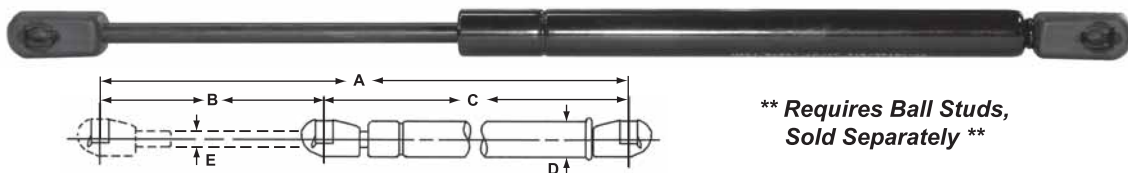


# GAS PROPS

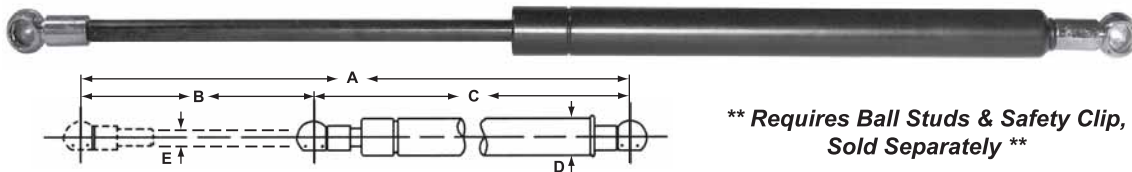
## Gas Props With Composite End Fittings



**\*\* Requires Ball Studs,  
Sold Separately \*\***

Part #	Product #	Force (lbs)	"A" Extended Length	"B" Compressed Length	"C" Stroke	"D" Tube Diameter	"E" Rod Diameter	Ball Stud Size
920 x 25lb	H6292025BK	25	9.65"	6.5"	3.15"	18 mm	8 mm	10 mm x 5/16-18
912 x 30lb	H6291230BK	30	12.5"	8.25"	4.25"	18 mm	8 mm	10 mm x 5/16-18
912 x 60lb	H6291260BK	60	12.5"	8.25"	4.25"	18 mm	8 mm	10 mm x 5/16-18
912 x 90lb	H6291290BK	90	12.5"	8.25"	4.25"	18 mm	8 mm	10 mm x 5/16-18
912 x 120lb	H6291212BK	120	12.5"	8.25"	4.25"	18 mm	8 mm	10 mm x 5/16-18
913 x 60lb	H6291360BK	60	15.95"	9.65"	6.3"	18 mm	8 mm	10 mm x 5/16-18
902 x 45lb	H6290245BK	45	17.2"	11"	6.2"	18 mm	8 mm	10 mm x 5/16-18
902 x 60lb	H6290260BK	60	17.2"	11"	6.2"	18 mm	8 mm	10 mm x 5/16-18
902 x 85lb	H6290285BK	85	17.2"	11"	6.2"	18 mm	8 mm	10 mm x 5/16-18
902 x 120lb	H6290212BK	120	17.2"	11"	6.2"	18 mm	8 mm	10 mm x 5/16-18
918 x 30lb	H6291830BK	30	18"	10.5"	7.5"	18 mm	8 mm	10 mm x 5/16-18
918 x 60lb	H6291860BK	60	18"	10.5"	7.5"	18 mm	8 mm	10 mm x 5/16-18
918 x 90lb	H6291890BK	90	18"	10.5"	7.5"	18 mm	8 mm	10 mm x 5/16-18
918 x 120lb	H6291812BK	120	18"	10.5"	7.5"	18 mm	8 mm	10 mm x 5/16-18
910 x 35lb	H6291035BK	35	19.10"	11.2"	7.88"	18 mm	8 mm	10 mm x 5/16-18
910 x 90lb	H6291090BK	90	19.10"	11.2"	7.88"	18 mm	8 mm	10 mm x 5/16-18
904 x 45lb	H6290445BK	45	19.7"	11.7"	8"	18 mm	8 mm	10 mm x 5/16-18
904 x 60lb	H6290460BK	60	19.7"	11.7"	8"	18 mm	8 mm	10 mm x 5/16-18
904 x 85lb	H6290485BK	85	19.7"	11.7"	8"	18 mm	8 mm	10 mm x 5/16-18
904 x 130lb	H6290413BK	130	19.7"	11.7"	8"	18 mm	8 mm	10 mm x 5/16-18

## Gas Props With Metal End Fittings



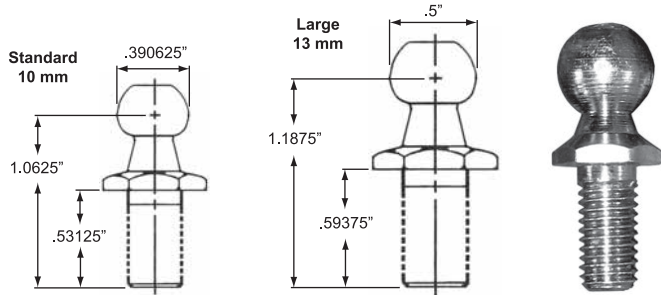
**\*\* Requires Ball Studs & Safety Clip,  
Sold Separately \*\***

Part #	Product #	Force (lbs)	"A" Extended Length	"B" Compressed Length	"C" Stroke	"D" Tube Diameter	"E" Rod Diameter	Ball Stud Size
950 x 30lb	H6295030BK	30	9.6"	6.5"	3.2"	19 mm	8 mm	10 mm x 5/16-18
950 x 60lb	H6295060BK	60	9.6"	6.5"	3.2"	19 mm	8 mm	10 mm x 5/16-18
950 x 90lb	H6295090BK	90	9.6"	6.5"	3.2"	19 mm	8 mm	10 mm x 5/16-18
950 x 120lb	H6295012BK	120	9.6"	6.5"	3.2"	19 mm	8 mm	10 mm x 5/16-18
1165 x 100lb	H6211651BK	100	20.625"	12.625"	8"	21 mm	10 mm	13 mm x 5/16-18
1165 x 150lb	H6211655BK	150	20.625"	12.625"	8"	21 mm	10 mm	13 mm x 5/16-18
1165 x 200lb	H6211652BK	200	20.625"	12.625"	8"	21 mm	10 mm	13 mm x 5/16-18
1165 x 240lb	H6211654BK	240	20.625"	12.625"	8"	21 mm	10 mm	13 mm x 5/16-18
970 x 80lb	H6297080BK	80	26.3"	16.1"	10.2"	22 mm	10 mm	10 mm x 5/16-18
970 x 150lb	H6297015BK	150	26.3"	16.1"	10.2"	22 mm	10 mm	10 mm x 5/16-18
970 x 220lb	H6297022BK	220	26.3"	16.1"	10.2"	22 mm	10 mm	10 mm x 5/16-18
970 x 260lb	H6297026BK	260	26.3"	16.1"	10.2"	22 mm	10 mm	10 mm x 5/16-18
1175 x 120lb	H6211752BK	120	36.3"	21.1"	15.2"	22 mm	10 mm	13 mm x 5/16-18
1175 x 150lb	H6211755BK	150	36.3"	21.1"	15.2"	22 mm	10 mm	13 mm x 5/16-18

# GAS PROP ACCESSORIES

## Ball Stud

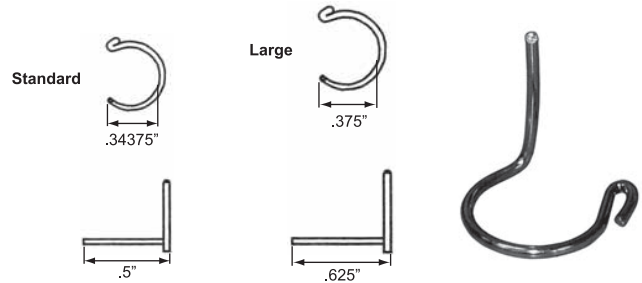
**Product # H621103XZN** Large, Zinc Plated, 13 mm x 5/16-18  
**Product # H62906BSZN** Standard, Zinc Plated, 10 mm x 5/16-18



## End Fitting Ball Stud Safety Clip

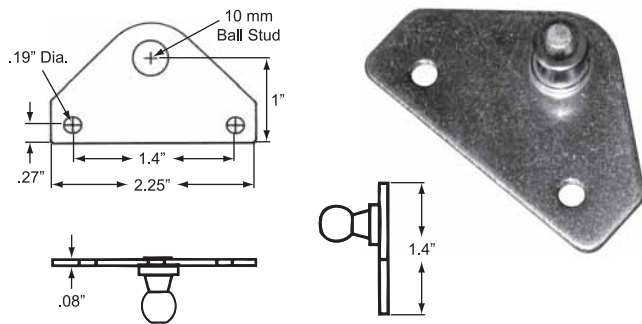
Used with metal end fittings only.

**Product # H621104XZN** Zinc Plated, For 13 mm Ball Stud Size  
**Product # H62907XXZN** Zinc Plated, For 10 mm Ball Stud Size



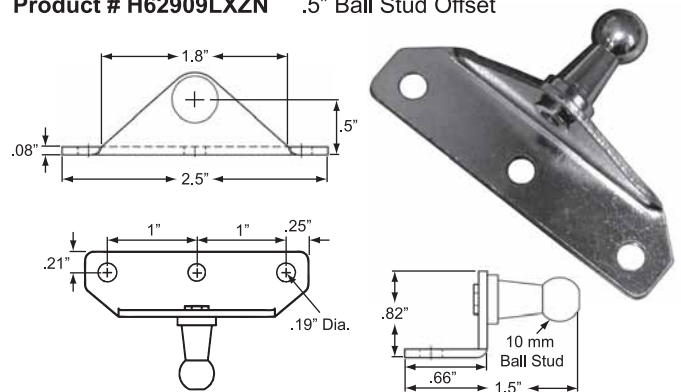
## 10 mm Straight Gas Prop Mounting Bracket

**Product # H62905SXZN** 1" Ball Stud Offset



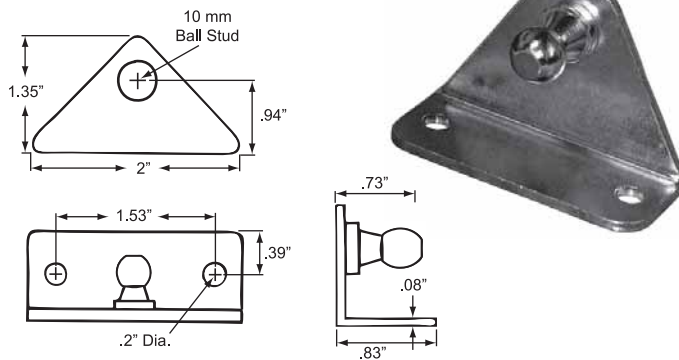
## 10 mm Gas Prop Mounting Bracket

**Product # H62909LXZN** .5" Ball Stud Offset



## 10 mm Gas Prop Mounting Bracket

**Product # H62908LXZN** .94" Ball Stud Offset



## 10 mm Reverse Gas Prop Mounting Bracket

**Product # H62908LRZN** .94" Ball Stud Offset

