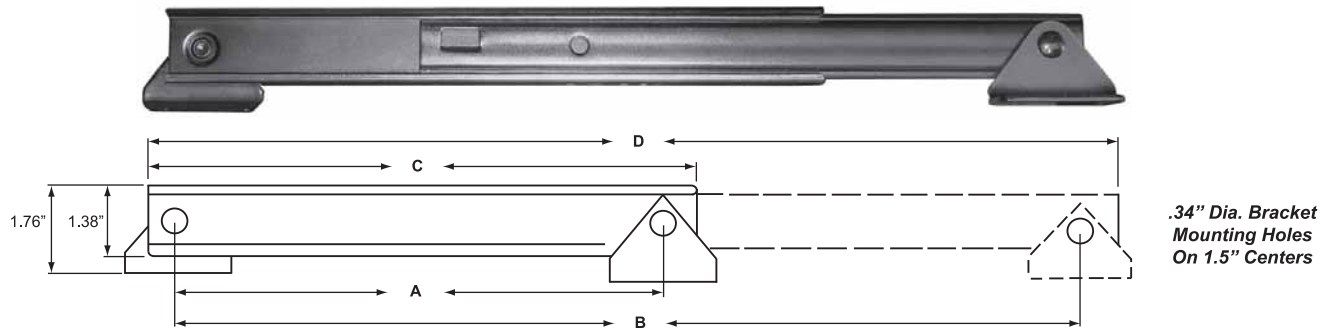


LID / DOOR SUPPORTS

Telescopic Lid / Door Prop Supports

Telescopic lid / door prop supports offer economical solutions and are simply installed to top hinged lids, hatches and doors. Prop features automatic latching when extended and is released by over extending and closing action. Struts contain safety pin alignment holes in the extended position. 90 degree mounting brackets are riveted and have nylon spacer washers. Clear zinc finish.



Product #	"A" Center To Center Closed	"B" Center To Center Open	"C" Overall Length Closed	"D" Overall Length Open
H6280608ZN	6.75"	11.25"	8"	12.5"
H6280610ZN	8.75"	15.25"	10"	16.375"
H6280620ZN	10.75"	19.25"	12"	20.375"
H6280630ZN	14.75"	27.25"	16"	28.5"
H6280640ZN	16.75"	31.25"	18"	32.5"

Spring Loaded Door Check - Straight Style

Stainless steel spring and rod with 15 lb spring tension allows light duty swing door control.



Product # H625EZSS

