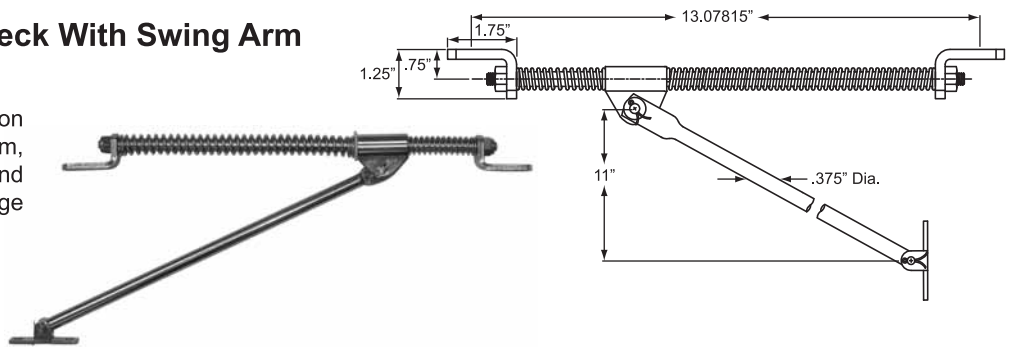


DOOR HOLDERS

Spring Loaded Door Check With Swing Arm

Polished stainless steel 30 lb tension rated springs and 11" swing arm, holds door in the open position and cushions energy to relieve hinge strain.

Product # H625SS

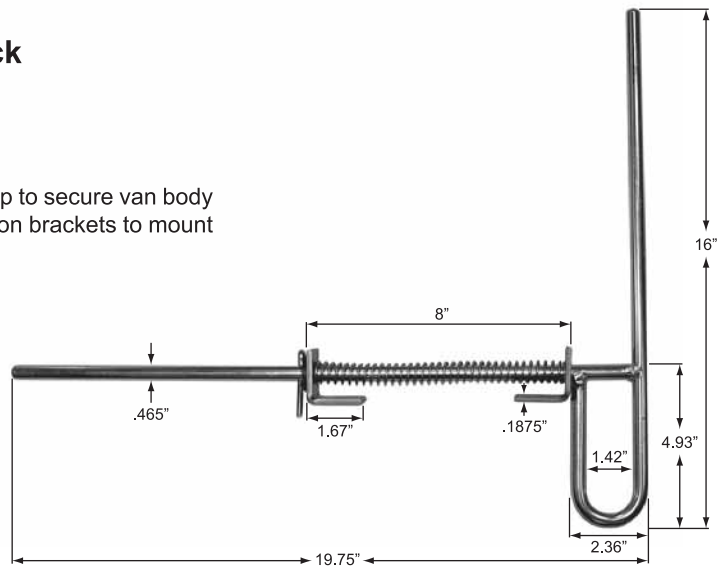


Spring Loaded Heavy Duty Door Holdback

All steel constructed, under rail mounted door holder pivots up to secure van body and trailer doors securely to side walls. Designed with weld on brackets to mount to cross member of sub floor.

Product # H622449PZN Zinc Plated

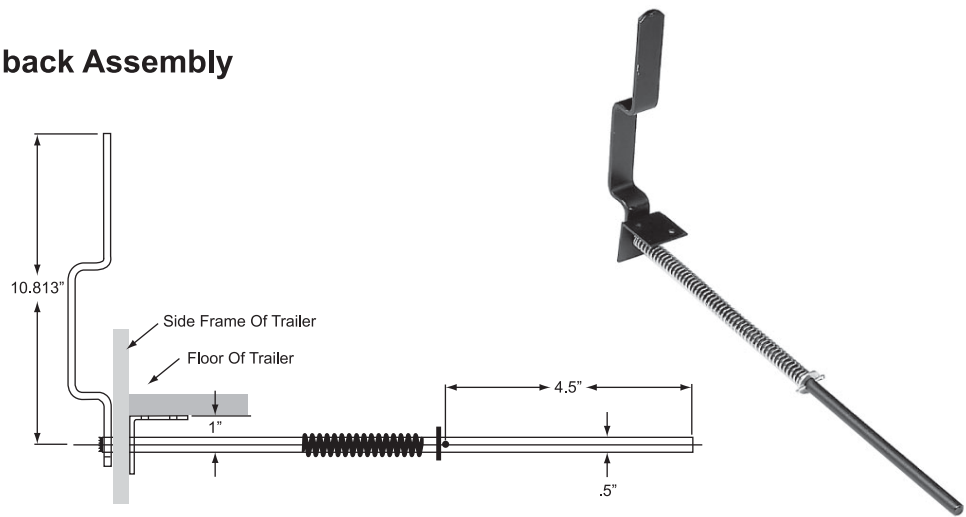
Product # H62244SPZN Replacement Spring Only



Spring Loaded Door Holdback Assembly

All steel construction with black primer finish. Mounts through trailer's side rail or under rail to allow tight clearance applications.

Product # H622450PPL



DOOR HOLDERS

29 Series Wire Type Door Holder

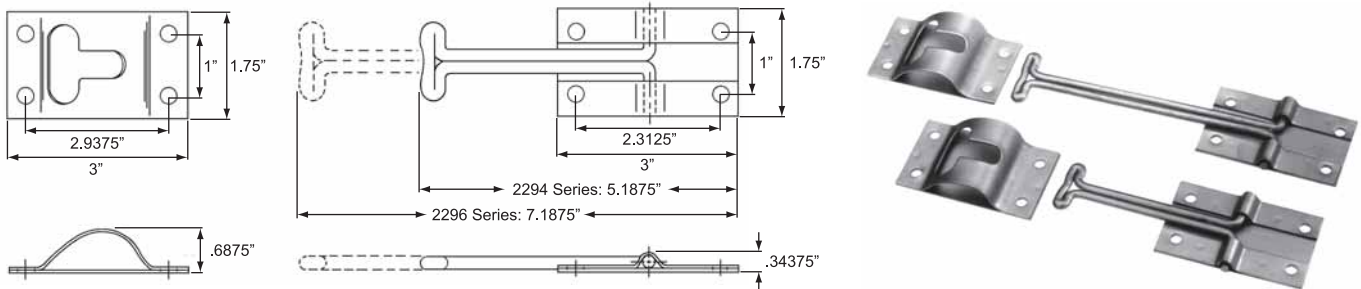
Sturdy and economical wire hook "T" style door holders available in plated steel and electropolish stainless.

Complete Assembly:

Product # H62294ZN	4" Length Hook Zinc Plated
Product # H62294SSP	4" Length Hook Electropolish Stainless
Product # H62296ZN	6" Length Hook Zinc Plated
Product # H62296SSP	6" Length Hook Electropolish Stainless

Component Parts

Product # H6229FZN	Hook Keeper Zinc Plated
Product # H6229FSSP	Hook Keeper Electropolish Stainless
Product # H62294MZN	4" Length Hook Zinc Plated
Product # H62294MSSP	4" Length Hook Electropolish Stainless
Product # H62296MZN	6" Length Hook Zinc Plated
Product # H62296MSSP	6" Length Hook Electropolish Stainless

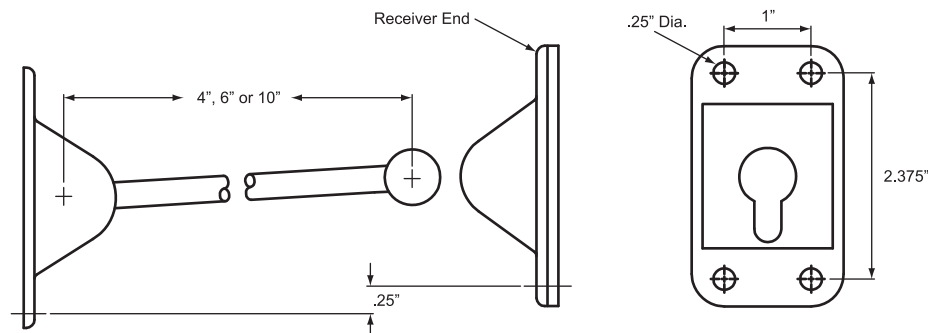


29 WC Series Thermoplastic Door Holder

Grey thermoplastic flexible door holder assemblies offer durability, flexibility, and a corrosion free finish. Sold as assemblies only.

Product # H62294WC	4" Length Ball Ended Hook
Product # H62296WC	6" Length Ball Ended Hook
** Product # H622910WC	10" Length Ball Ended Hook **

**** Minimum Order Quantity May Apply ****

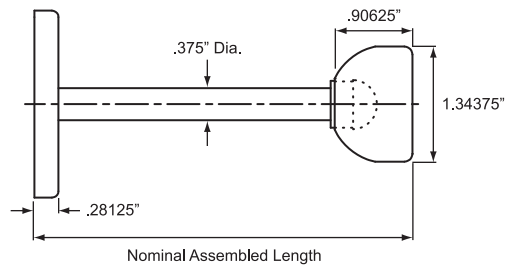
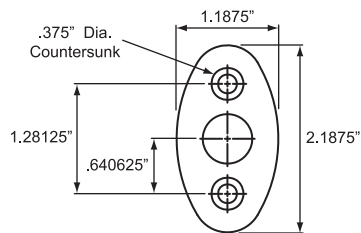


DOOR HOLDERS

38 Series Steel / Polymer Plunger Style Door Holder

Zinc plated steel plunger with polymer socket keeper. Design allows for keeper tension adjustment by means of tightening attachment fastener. Sold as complete assemblies, in nominal lengths from 1.5" through 5.5" in 1" increments. Also available in stainless steel, minimum quantities may apply.

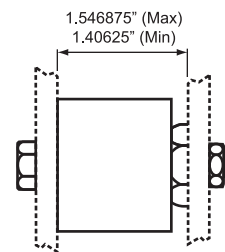
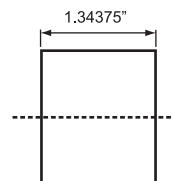
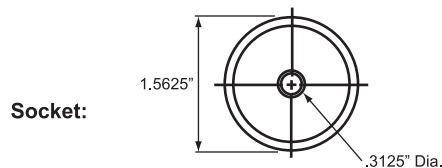
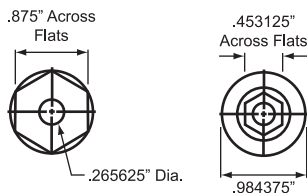
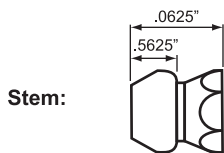
- Product # H6238X15ZN** 1.5" Nominal Assembled Length
- Product # H6238X25ZN** 2.5" Nominal Assembled Length
- Product # H6238X35ZN** 3.5" Nominal Assembled Length
- Product # H6238X45ZN** 4.5" Nominal Assembled Length
- Product # H6238X55ZN** 5.5" Nominal Assembled Length



38 R Series Rubber / Polymer Plunger Style Door Holder

Black rubber socket keeper with steel washer insert and polymer plunger available in both light hold and standard hold models. Sold as a set consisting of keeper and plunger.

- Product # H6238R25BK** Standard Hold - 30 lb Load
- Product # H6238R25LH** Light Hold - 15 lb Load



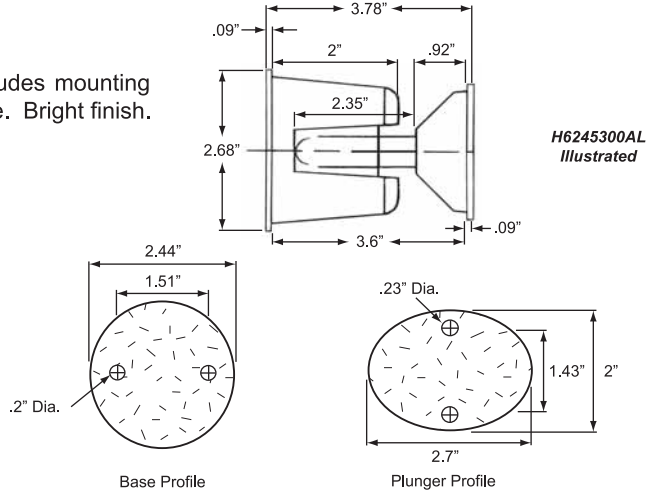
DOOR HOLDERS

45 Series Aluminum Plunger Door Holder Kit

Cast aluminum loop style plunger with rubber insert keeper. Includes mounting gaskets for both keeper and plunger. Two plunger lengths available. Bright finish.

Product # H6245300AL 3" Loop Plunger

Product # H6245450AL 4.5" Loop Plunger



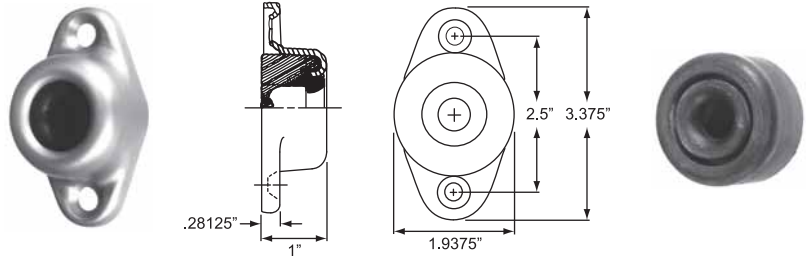
Silent Plunger Door Holder

All steel construction with zinc plated finish plunger lengths from 1.25" through 2.75" are offered. Socket keeper features a replaceable rubber insert. Sold as components.

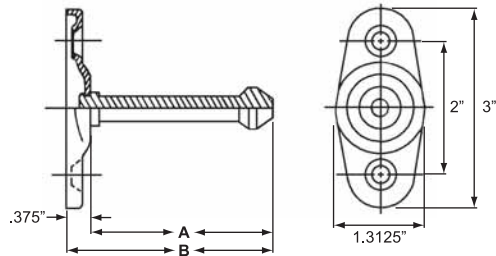
Sockets

Product # H62X5573ZN Socket Keeper With Rubber Insert

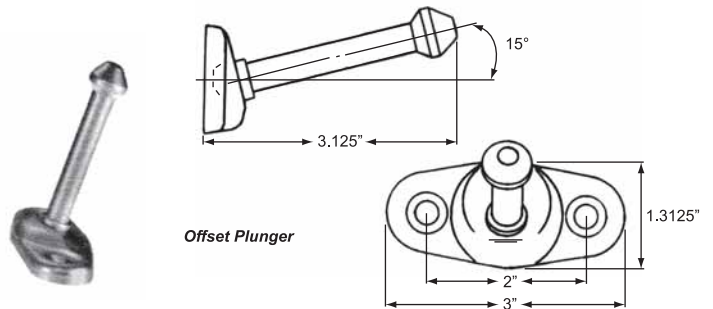
Product # H625573RBK Replacement Insert Only



Plungers



Product #	Style	"A" Plunger Length	"B" Overall Length
H62X5574ZN	Straight	1.25"	1.625"
H62X5575ZN	Straight	1.75"	2.125"
H62X5576ZN	Straight	2.25"	2.625"
H62X5577ZN	Straight	2.75"	3.125"
H62X5578ZN	15° Offset	2.75"	3.125"



DOOR HOLDERS

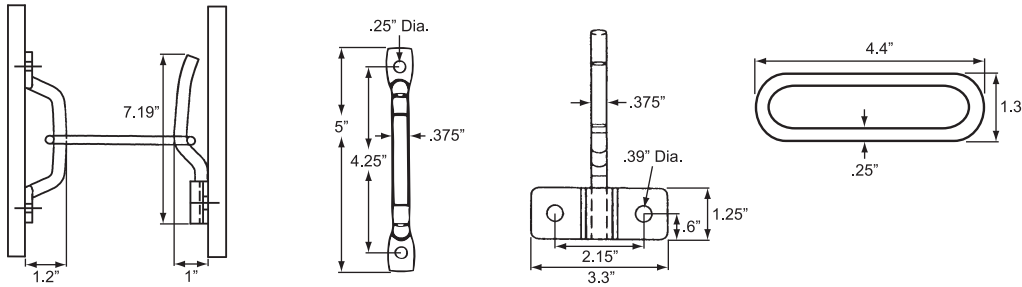
55 Series Link Type Door Holder

Features all steel construction. Rail mounted bracket weldment offers secure retention for large trailer and truck body doors. This door holder also has many industrial applications. Item is available in components and features a zinc plated finish.

Component Parts

Product # H6255100ZN Rail Bracket Weldment
Product # H6255201ZN 5" Mini Handle / Loop
Product # H6255204ZN 4" Link

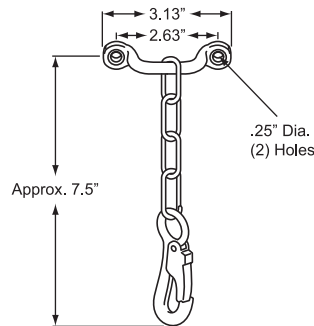
Product # H62554ZN 4" Link Door Holder Assembly



Chain & Snap Door Hold-Back Assembly

Includes chain, snap assembly and loop anchor. Zinc plated finish.

Product # H6255510ZN



490 Series Cast Aluminum Door Holder

Sturdy cast aluminum construction with a natural finish provides positive hook retention with the spring loaded keeper. Available with either 2" or 4" length hooks. Sold as assemblies only.

Product # H624902AL 2" Length Hook

Product # H624904AL 4" Length Hook

